

Country of Origin : China
 Operating Temperature : 0~40 [°C]
 Dimension : 61 × 61 × 29 [mm]

Efficiency level (ErP) : VI



Approvals / Marks :



Specifications

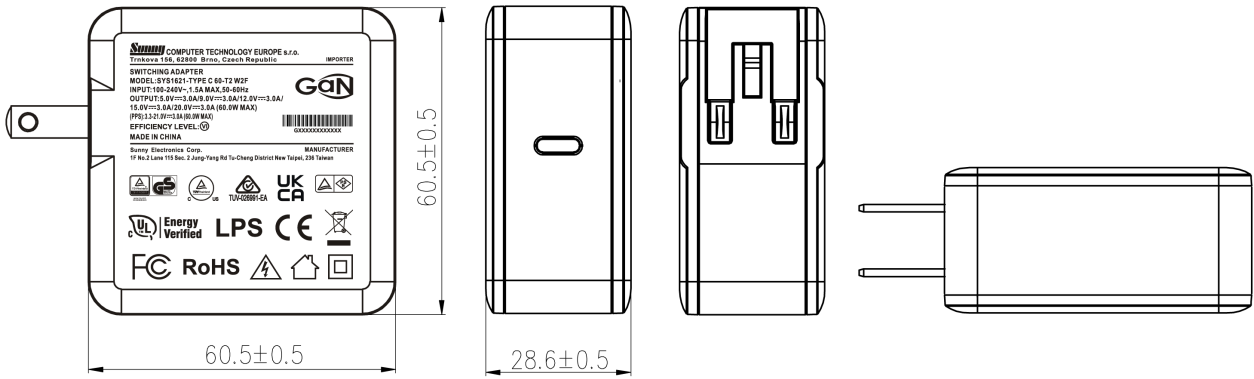
Model	Voltage DC/Loading [V/A]	Max. Power [W]	Ripple / Noise [mV] p-p	Connector
SYS1621-TYPE C 60-T2 W2F	5V/3A, 9V/3A, 12V/3A, 15V/3A, 20V/3A	60	250	USB-C

Features:

GaN technology Power Supply
 Auto-detect the charging voltage and current for Type C and ios devices.
 Meet PD3.0 requirement rules
 The Programmable Power Supply (PPS) output is 3.3-21V / 3.0A max (60W max)
 PSU housing ready for use in country : Wxx = W2E - Europe | W3U - England | W2 - USA, Canada, Japan (fixed) | W2A - Australia | W2G - Argentina | W2K - Korea
 Output connector: Regulated Output With Low Ripple Noise | Safety Agency Requirements and EMI/EMS Certified
 Private Label Marking Available | 2 Years Warranty

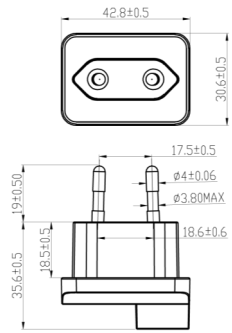
INPUT OUTPUT	Voltage	90-264VAC
	Current	1.5A rms max At AC low line input and DC output full load
	Inrush Current	0
	Power consumption	0.21W max. with output no load at 115VAC/230VAC input
	Efficiency	Meet ERP level VI
	Hold up time	0
	Turn delay	5000mS max. At AC low line input @ output full load.
	Ripple noise	250mV
	Burn-in	2 Hour Full Load
PROTECTION	Over current Short protection	Fold back Auto recovery when abnormal circuit faults remove.
	Over Voltage	Auto recovery
	Input protection	3.15A/250V Fuse The power supply shall be protected against power line surges and any abnormal condition
	Protection class	Class II
SAFETY	CE EMC	2014/30/EU
	CE LVD	2014/35/EU EN IEC 62368-1:2020+A11:2020
	Safety approvals	GS cTUVus FCC CE CB SAA+RCM PSE UKCA
	Dielectric Strength (Hi-pot)	IEC 320 2pin primary to secondary 4000Vdc 10mA 1min
	Leakage current	0.25 mA max.
ENVIRONMENTAL	Temperature	Operating: -5~35°C / Storage: -20~85°C
	Humidity	Operating: 8%~90%RH / Storage:5%~95% RH
	Cooling	Natural Convection Cooling
OTHER	MTBF	MTBF shall be least 50,000 hours at 25°C (MIL-HDBK-217F)
	Weight	0
	Dimension	61x61x29 mm
	Packing	100 pcs 1 box

Mechanical case specification: + fixed plug US / Japan type (W2)

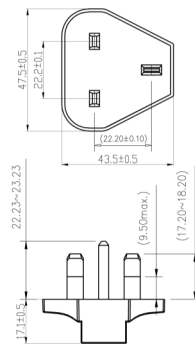


Mechanical specification (country housing):

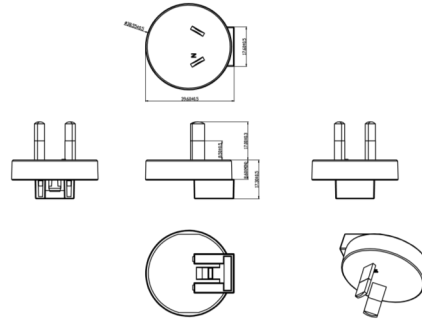
Europe type (W2E)



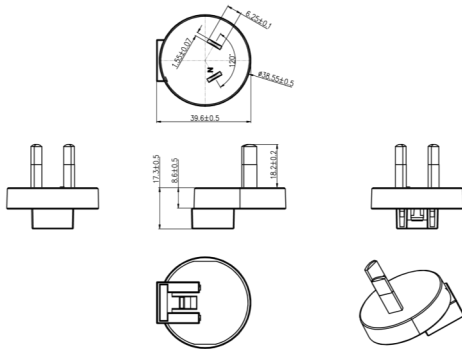
UK type (W3U)



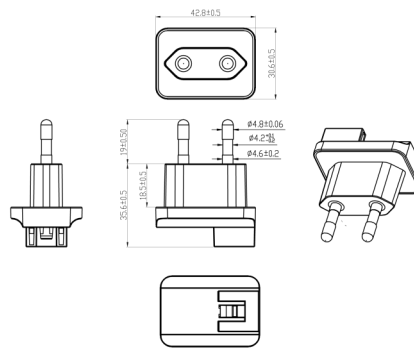
Australia type (W2A)



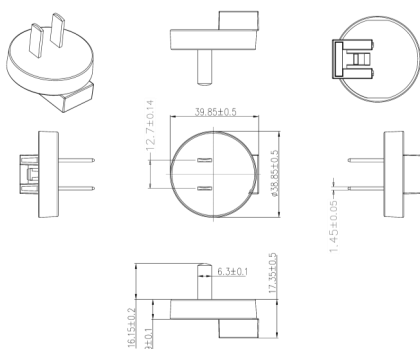
Argentina (W2G)



Korea (W2K)



China (W2C)



India (W2I)

