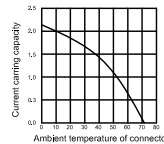


ENVIRONMENTAL CONDITIONS

Temperature Range
 Storage -40 to +70°C
 Operation -10 to +60°C
 Relative Humidity (Operational) : Maximum
 Noncondensing 93%

ELECTRICAL

Electrical Insulation Resistance : 500MΩ min. @ 100V d.c
 Dielectric Withstanding Voltage : 1000V RMS @ 60Hz for 1 minute
 Contact Resistance : 20mΩ Max.
 Current Rating : as figure.

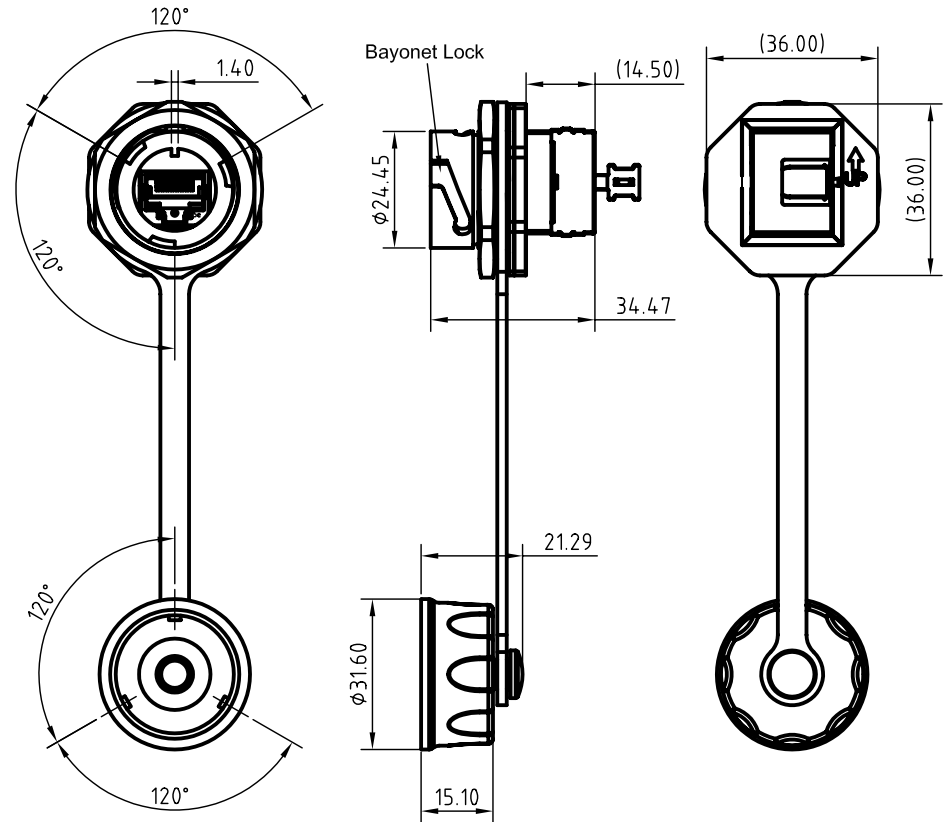
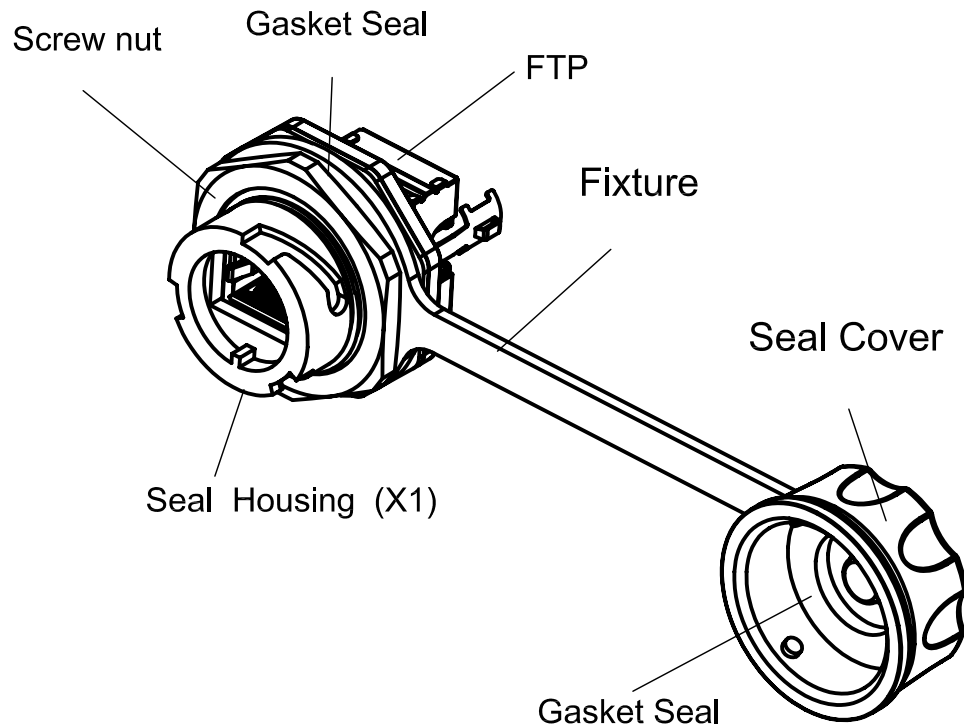


MECHANICAL

Total Contact Force : 800 GRAMS for A 8 Wire
 Leads Minimum
 Retention : 50N (11 lbf) for 60s±5s
 Insertion / Extraction Life : 750 Cycles Minimum
 IDC Wire Gauge : 22 ~ 26 AWG

PHYSICAL

Housing : High-Impact, Flame-Retardant Plastic, UL 94V0
 Spring Wire : Phosphor Bronze Alloy Plated With 50 micro-inch of Gold Over 100 micro-inch of Nickel
 IDC : Phosphor Bronze Alloy With 100 micro-inch 9:1 Sn-Pb Alloy
 Shield Shell : Brass Alloy Plated with 50 micro-inch Nickel
 International Protection Code meet IP67



UNLESS OTHERWISE SPECIFIED: TOLERANCES		PROJECT ID		TITLE	
INCH	MM	ANGULAR	FILE	DATE	Industrial JACK
.X ± .016	.X ± 0.2	X ± 1°			
.XX ± .008	.XX ± 0.1	.X ± .5°			
.XXX ± .004					
MATERIAL	DRAWN		SIZE		
SURFACE	CHECK		DRAWING NUMBER		PART NUMBER
FINISH	APPROVED		A4		REV
SCALE 1:1		UNIT mm	SHEET 1 OF 1		