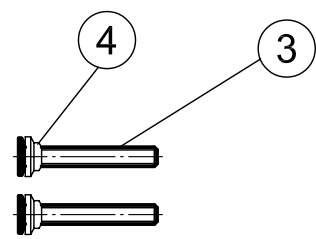
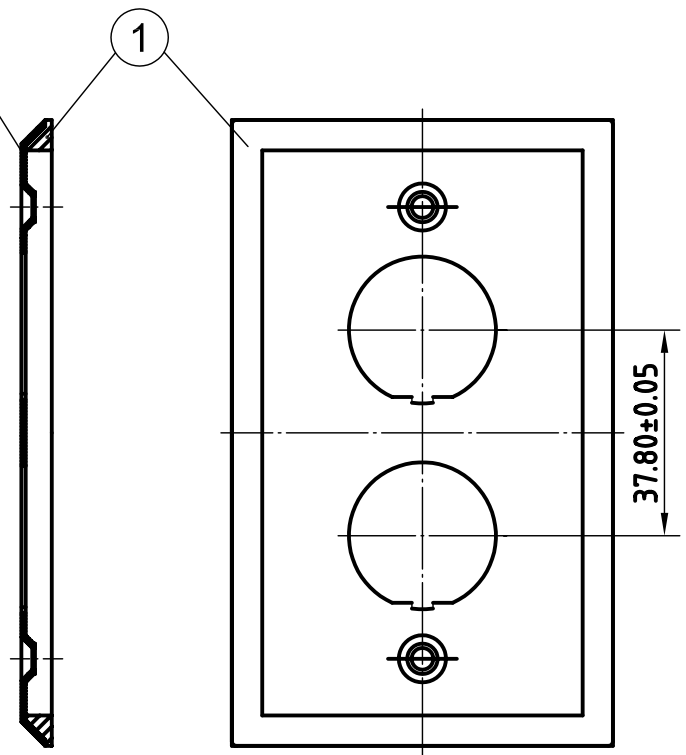
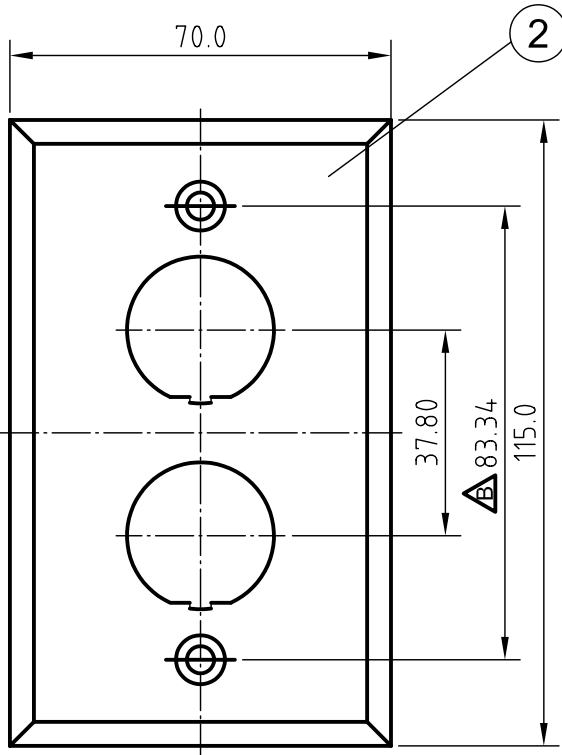
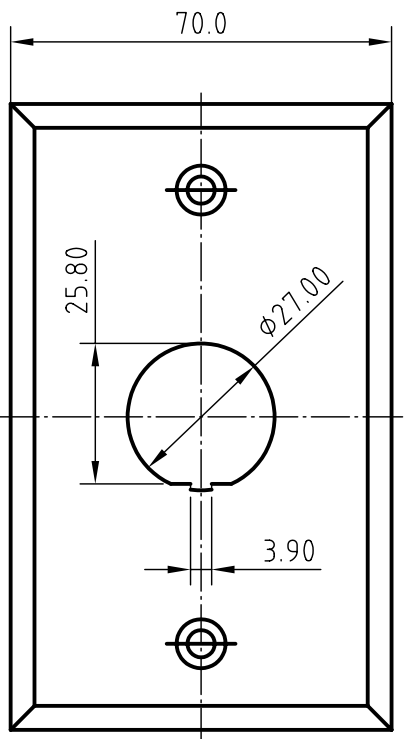


D  
C  
B  
A



UNLESS OTHERWISE SPECIFIED: TOLERANCES		PROJECT ID			
INCH	MM	ANGULAR	FILE	DATE	TITLE
.X ± .016	.X ± 0.2	X ± 1°			
.XX ± .008	.XX ± 0.1	.X ± .5°			
.XXX ± .004					
MATERIAL	DRAWN				
SURFACE	CHECK				
FINISH	APPROVED				
SIZE	DRAWING NUMBER	PART NUMBER	REV		
A4			B		
SCALE	1:1	UNIT	mm	SHEET 1 OF 1	