

WARN:

Unintentional equipment operation.

The application of this product requires know-how in design and program of control system.

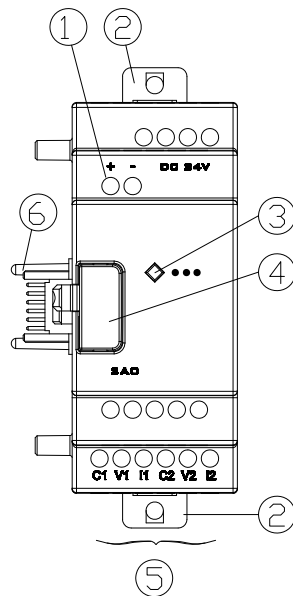
Only persons qualified are allowed to program, install and apply this product under environment pollution degree 2.

2AO output mode can be set by basic unit, the value of DR register (Current value).

DR No.	Signification	Value definition
DRD0	AQ01 output mode	0, voltage mode, when basic unit is stopping, 2AO module outputs 0;
DRD1	AQ02 output mode	1, current mode, when basic unit is stopping, 2AO module outputs 0;
DRD2	AQ03 output mode	2, voltage mode, when basic unit is stopping, 2AO module keeps on outputting;
DRD3	AQ04 output mode	3, current mode, when basic unit is stopping, 2AO module keeps on outputting;

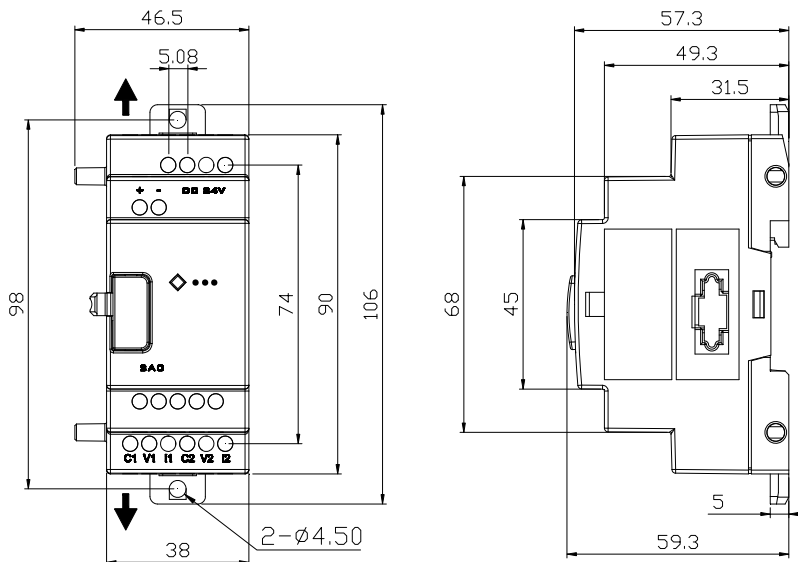
Note: If the value is out of the range 0~3, it will be considered as 0.

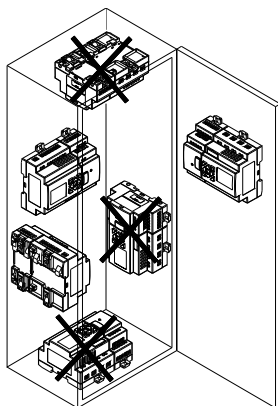
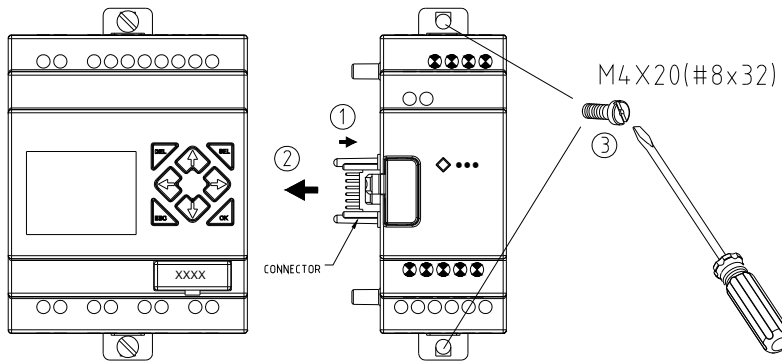
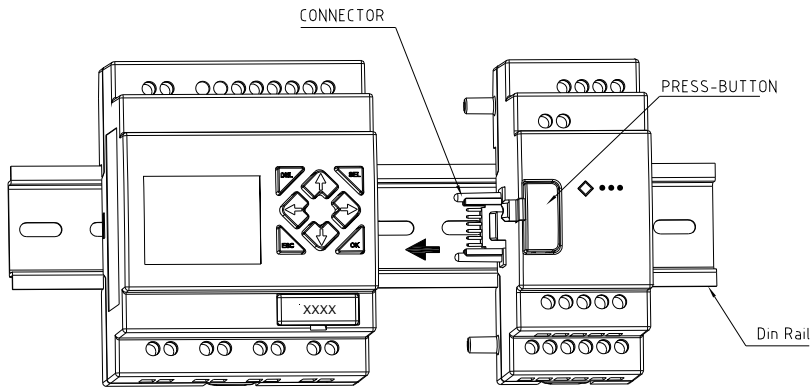
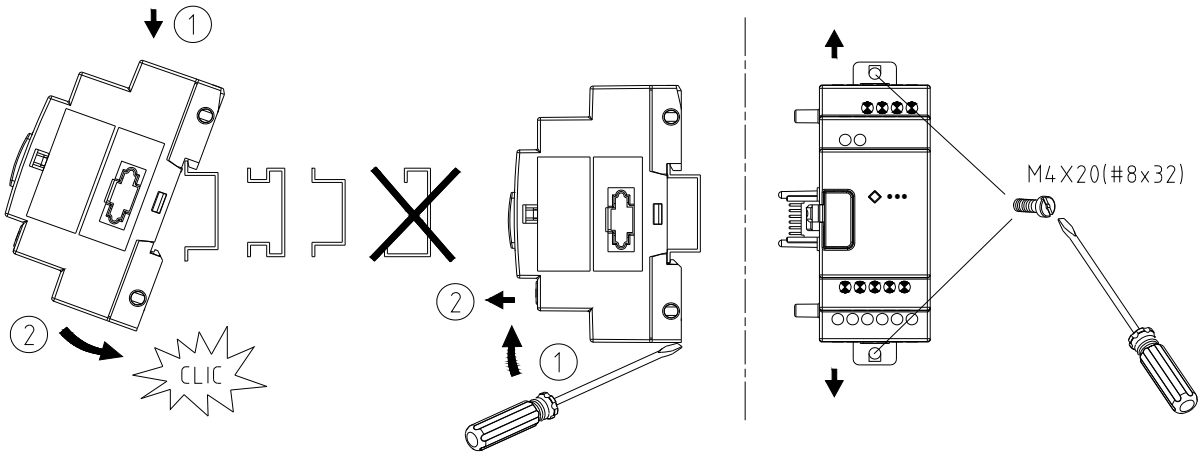
Failure to follow this instruction will result in death, serious injury or equipment damage.



- ① Power supply terminals
- ② Retractable mounting feet
- ③ Voltage/Operating mode orange signaling LED
- ④ Press-button
- ⑤ Relay output terminals
- ⑥ Connector

Unit: mm (1 inch=25.4mm) Tolerance: ± 0.3





mm ²	0.14...1.5	0.14...0.75	0.14...2.5	0.14...2.5	0.14...1.5
AWG	26...16	26...18	26...14	26...14	26...16
 ø 3.5 (0.14in)	C		Nm		0.6
			C		lb-in

DANGER:

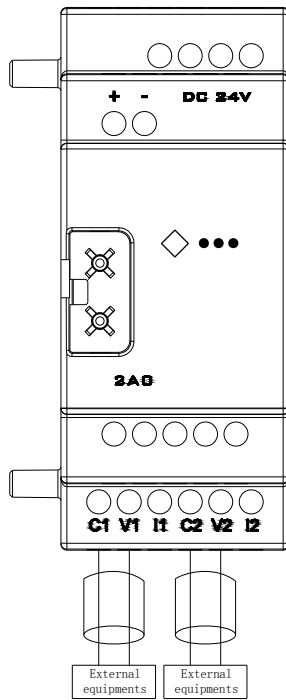
HAZARDOUS VOLTAGE

Cut off all power before maintenance.

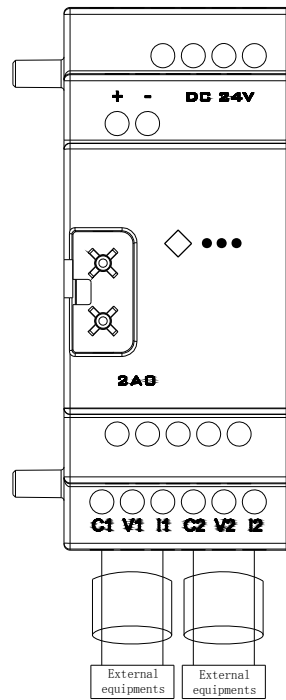
Electric shock will result in death or serious injury.

Input 24V DC:

Vol t age out put



Curr ent out put



Item	Specifications (Analog output unit, 2 voltage/current output channels)	
	Voltage	Current
Analog output range	0~10V Impedance of the external load should be more than 500 Ω	0~20mA Impedance of the external load should be less than 500 Ω
Resolution	10mV	40 μ A
Digital output	0.00V~10.00V	0.00mA~20.00mA
Definition	±2.5%	±2.5%
The total channels	2 channels	2 channels
Terminal block description	C1、C2	V1~V2 or I1~I2 public access location
	V1、V2	Voltage output terminal, output the voltage signal from V,C
	I1、I2	Current output terminal, output the voltage signal from I,C
	+	+24VDC power supply input terminals(+)
	-	+24VDC power supply input terminals(-)
The instruction of LED	LED : orange	
Internal power supply	15V, -9V, 5V, 3.3V	
External power supply	24VDC	
Environment temperature	-20℃~55℃	

