

TECO *SG2 H-TYPE*

H-TYPE PRODUCTS:

SG2-12HR-D/12HT-D//12HR-12D/12HT-12D

SG2-20HR-D/20HT-D/20VR-D/20VT-D//20HR-12D/20HT-12D/20VR-12D/20VT-12D

SG2-10HR-A//10HR-24A

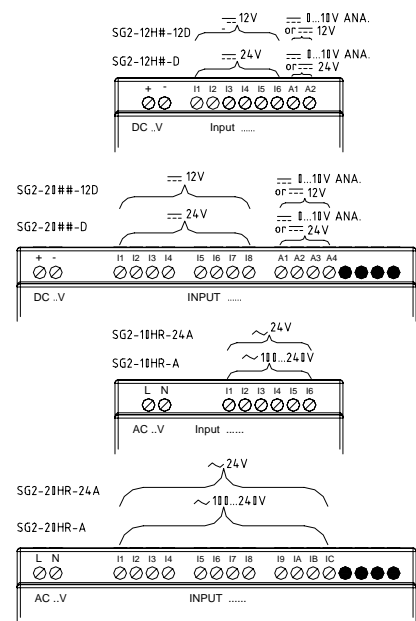
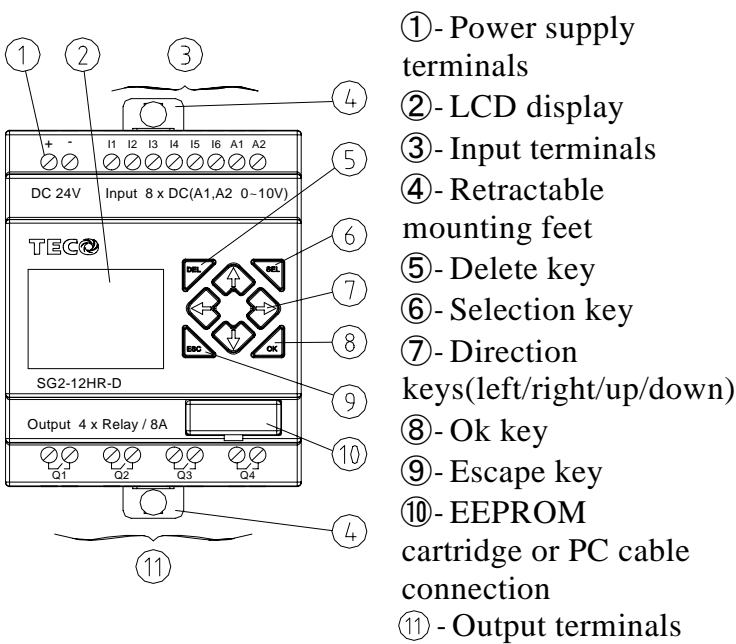
SG2-20HR-A//20HR-24A

WARN:

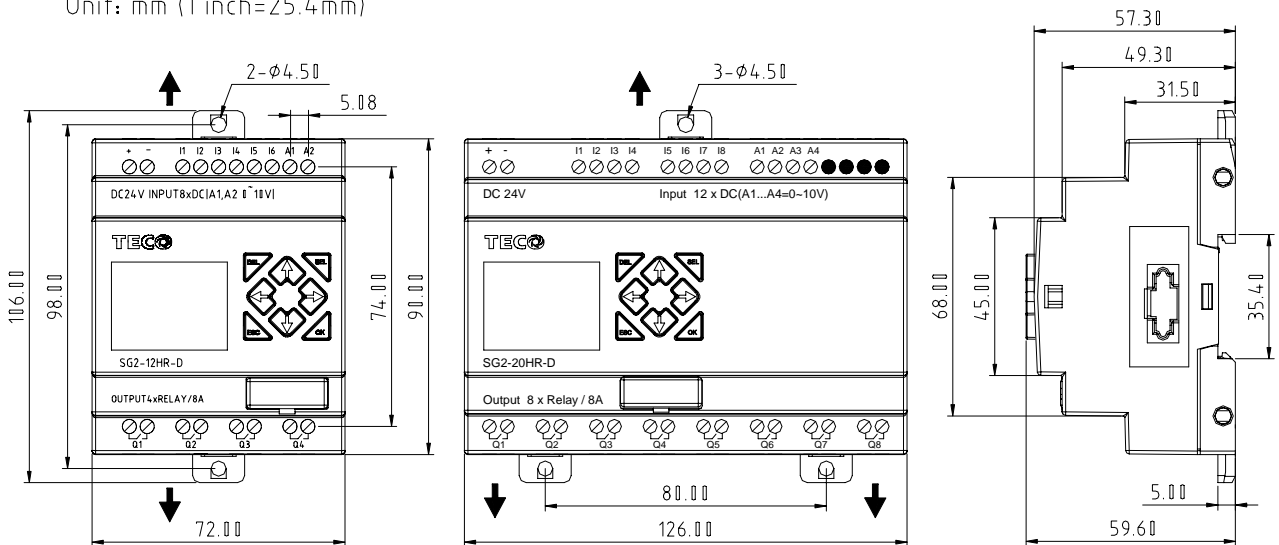
Unintentional equipment operation.

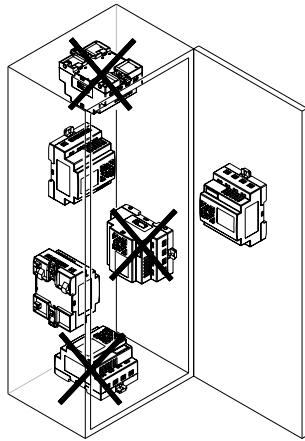
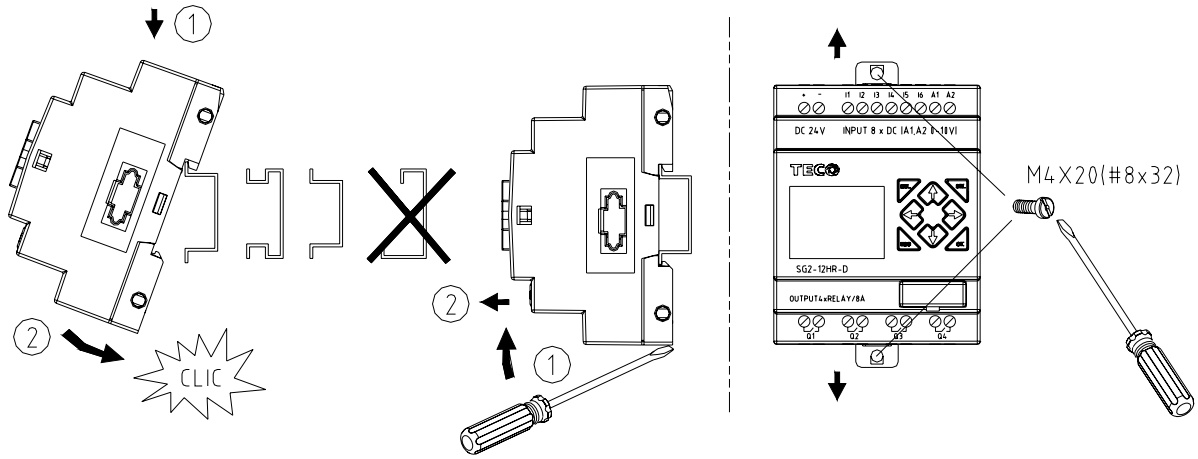
The application of this product requires know-how in design and program of control system. Only persons qualified are allowed to program, install and apply this product.

Failure to follow this instruction will result in death, serious injury or equipment damage.



Unit: mm (1 inch=25.4mm)

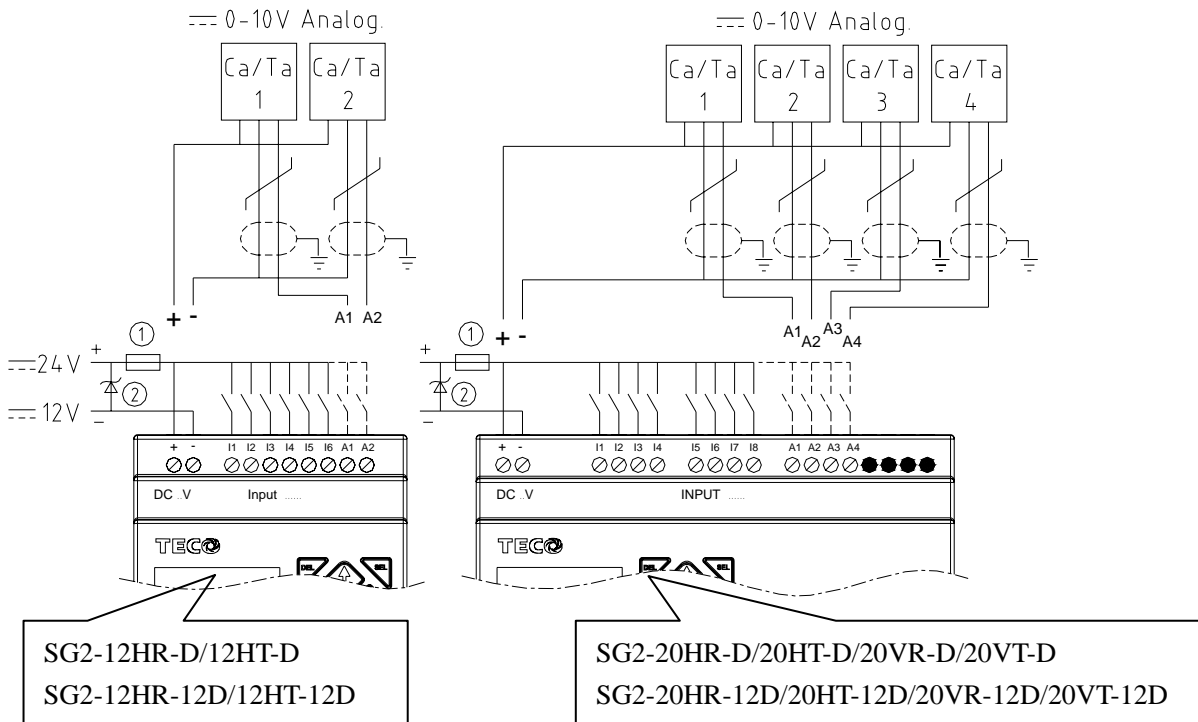


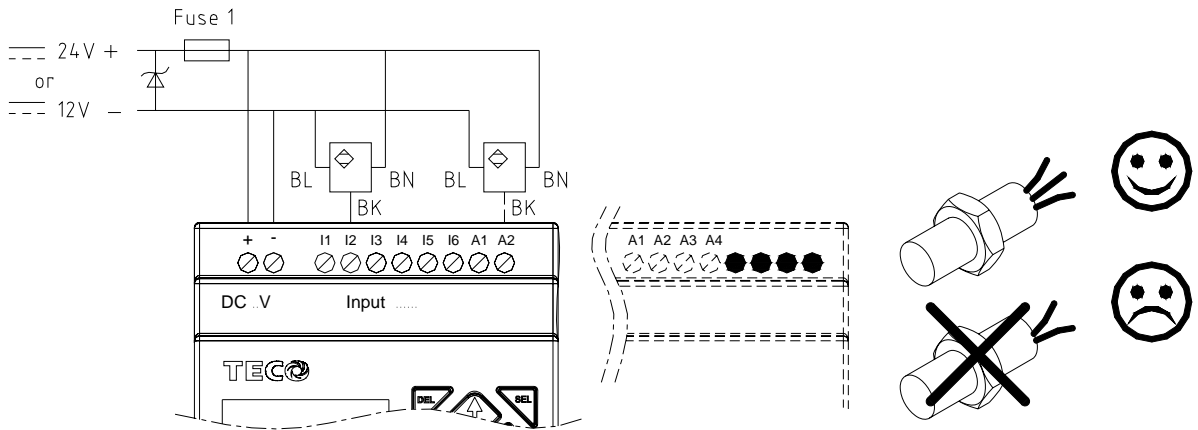


mm ²	0.14...1.5	0.14...0.75	0.14...2.5	0.14...2.5	0.14...1.5
AWG	26...16	26...18	26...14	26...14	26...16
 Ø 3.5 (0.14in)	C		 Nm		0.6
					 lb-in

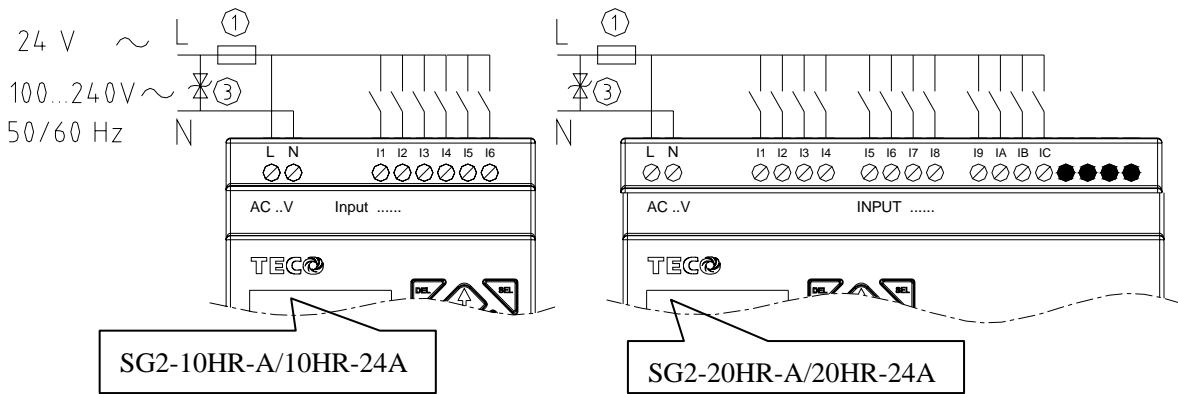
DANGER:
HAZARDOUS VOLTAGE
 Cut off all power before maintenance.
 Electric shock will result in death or serious injury.

Input 12/24V DC:

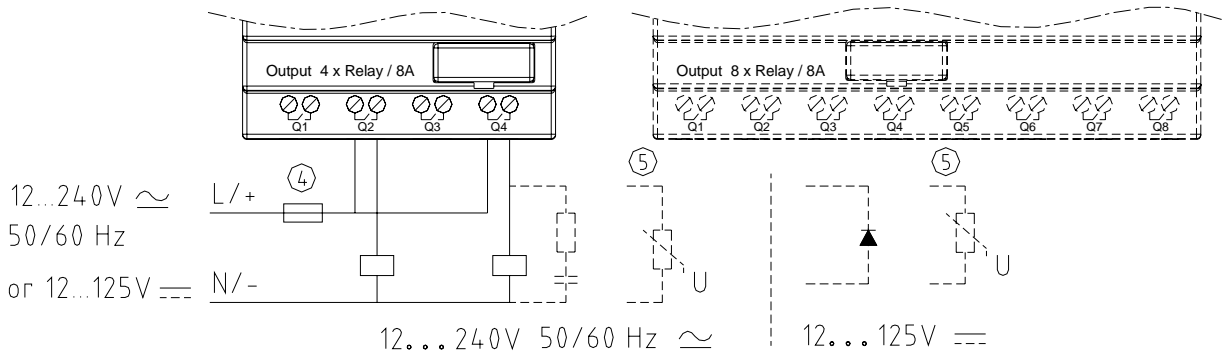




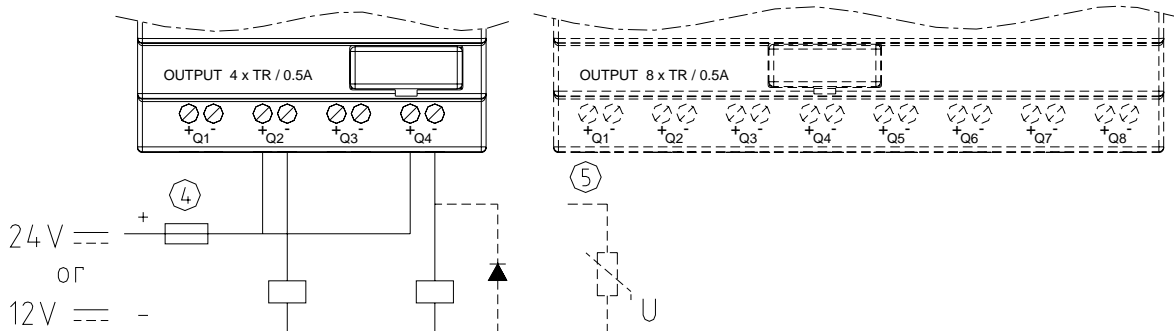
Input 24V AC or 100...240V AC:



Output (Relay):

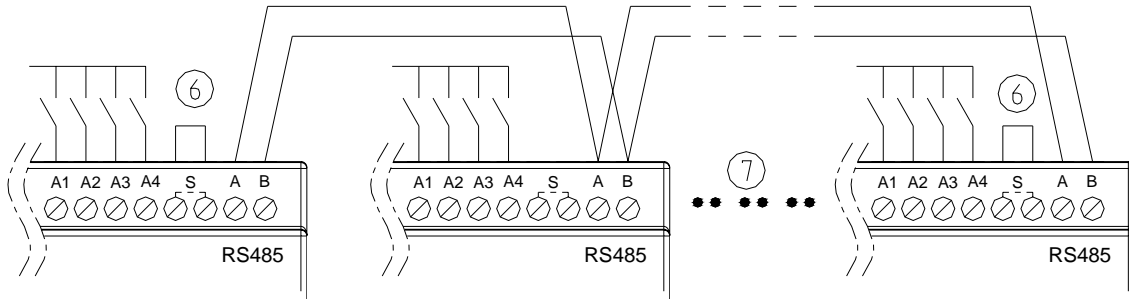


Output (Transistor):



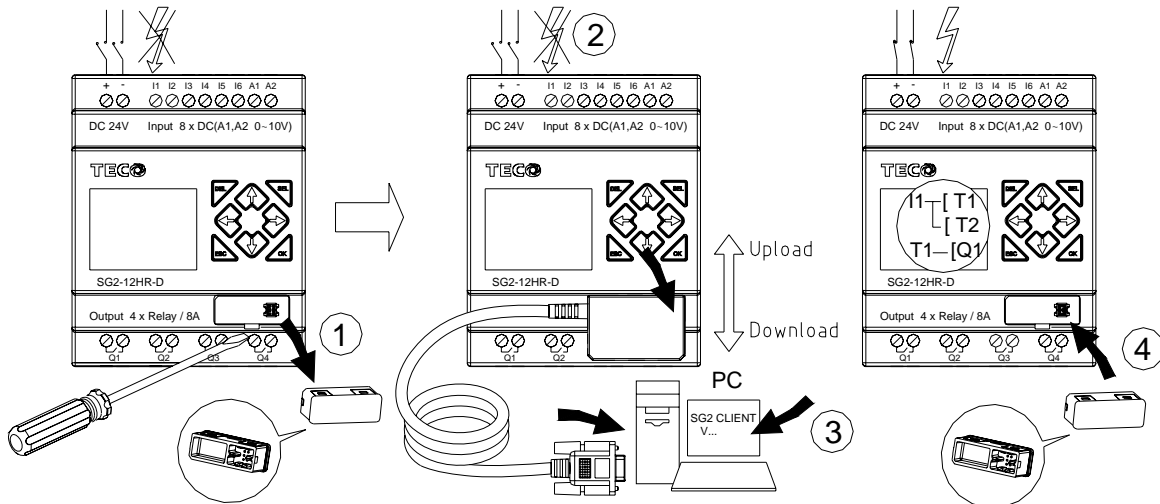
I/O link or Remote I/O:

(Only products, SG2-20VR-D/20VT-D/20VR-12D/20VT-12D are available.)



- ①-1A quick-blowing fuse, circuit-breaker or circuit protector
- ②-Surge absorber (36V DC)
- ③-Surge absorber (400V AC)
- ④-Fuse, circuit-breaker or circuit protector
- ⑤-Inductive load
- ⑥-Only short circuit the first product and the last product
- ⑦-Comply with standard : EIA RS-485. When I/O link, the net can connect 8 products in max. (ID: 1~8) .When Remote I/O is available, it only can connect 2 products in max. (MASTER & SLAVE).

Communicate with CLIENT:



Communicate with PM05:

