

# Unmanaged Industrial Ethernet Switches

## 5 & 8 port switches

Models SE205, SE205-T, SE208, SE208-T, SE205-MMSC, SE205-SMSC

**B+B SMARTWORX**

Powered by

**ADVANTECH**



**e\worx**



### Features & Benefits

- IP30 rated metal enclosure
- Slim design with DIN rail and wall mounting (included)
- 10/100 Mbps auto-negotiation
- Full/half duplex flow control to ensure compatibility with legacy devices
- MDI/MDI-X auto crossover
- Broadcast storm protection
- Store and Forward switching
- Redundant power inputs 12 - 48 VDC (10.8 - 52.8 VDC) with power fail relay
- Wide operating temperature support -40 ~ 75°C (-T models)

### Copper Models

- 5 or 8 Fast Ethernet ports with Auto MDI/MDI-X

### Fiber Models

- (4) 10/100 Mbps RJ45 with either (1) Multi-mode (SE205-MMSC) or (1) Single-mode (SE205-SMSC)

With no setup required, Advantech B+B SmartWorx Unmanaged Industrial Ethernet Switches are cost-effective, best-in-class, UL Certified plug-and-play devices. These switches are designed for use in demanding industrial environments, offering unmatched performance, reliability, and value. Robust IP30 rated metal enclosure is designed to meet challenging industrial applications to provide efficient heat dissipation.

Models are available in standard 10/100Mbps speed for twisted pair ports and 100Mbps for fiber optic connections (on some models) while supporting full data transmission. The SE205 and SE208 series switches offer store and forward technology, as well as MDI/MDIX auto sensing to ensure connectivity on the copper ports. Status LEDs indicate active link, speed and collision status.

Power is a 12-48 VDC redundant input design and is secured with a double protection mechanism: Polarity Reverse and Overload Protection. Polarity Reverse prevents damage to the switch in the event of incorrect power wiring. Overload Protection is a resettable fuse that prevents power overloads causing damage to the switch - once normal power is resumed the switch will restart automatically. Power-fail LEDs will activate to notify administrators of a failed condition as well as a power fault relay, to provide easy troubleshooting.

### Specifications

#### COMMUNICATIONS

Standards	IEEE 802.3, 802.3u, 802.3x
LAN	10/100Base-T(X) (all models) 10/100Base-T(X), 100Base-FX (SE205-MMSC, SE205-SMSC)
Transmission Distance	Ethernet: Up to 100 meters Multi-mode Fiber: Up to 2km (SE205-MMSC) Single-mode Fiber: Up to 30km (SE205-SMSC)
Transmission Speed	10/100 Mbps Auto-Negotiation
Optical Fiber (SE205-MMSC)	Multi-mode Wavelength: 1300 nm Parameters: 50/125 µm, 62.5/125 µm
Optical Fiber (SE205-SMSC)	Single-mode Wavelength: 1310 nm Parameters: 9/125 µm

SWITCH PROPERTIES	
MAC Table Size	2k
Packet Buffer Size	448 Kbits
Switching Technique	Store and Forward
INTERFACE	
Connectors	5 x RJ45 (SE205, SE205-T) 8 x RJ45 (SE208, SE208-T) 4 x RJ45 ports, 1 x SC type fiber connector (SE205-MMSC, SE205-SMSC) 6-pin removable screw terminal - power & relay (all models)
Ethernet	Auto Sensing, 10/100BaseTX, Duplex and MDIX.
LED Indicators	P1, P2, P-Fail 10/100T (X): Link/Activity, Duplex/Collision
POWER	
Power Consumption	2.88W (SE205, SE205-T) 4.71W (SE208, SE208-T) 4.2W (SE205-MMSC, SE205-SMSC)
Power Input	12-48 VDC (10.8 - 52.8 VDC) redundant dual inputs
Fault Output	1 Relay Output
Reverse Polarity Protection	Present
Overload Current	Present
PHYSICAL	
Dimensions (WxHxD)	SE205, SE205-T: 30 x 120 x 95 mm (1.18 x 4.72 x 3.74 in) SE208, SE208-T: 30 x 140 x 95 mm (1.18 x 5.51 x 3.74 in) SE205-MMSC, SE205-SMSC: 30 x 140 x 95 mm (1.18 x 5.51 x 3.74 in)
Enclosure	IP30, metal shell with solid mounting kits
Mounting	DIN-Rail, Wall Mount
Weight	Net 1.83 lb (0.83 kg)
ENVIRONMENT	
Operating Temperature	SE205, SE208: -10 ~ +60°C (-14 ~ +140°F) SE205-MMSC, SE205-SMSC: -10 ~ +60°C (-14 ~ +140°F) SE205-T, SE208-T: -40 ~ +75°C (-40 ~ +167°F)
Storage Temperature	-40 ~ +85°C (-40 ~ +185°F)
Operating Humidity	10 ~ 95% (non-condensing)
Storage Humidity	10 ~ 95% (non-condensing)
MTBF	SE205, SE205-T: 412,590 hours SE208, SE208-T: 388,566 hours SE205-MMSC, SE205-SMSC: 674,572 hours
CERTIFICATIONS	
Safety	UL/cUL 60950
EMI	FCC Part 15 Subpart B Class A, EN 55022, Class A
EMS	EN 61000-4-2, EN 61000-4-3, EN 61000-4-4, EN 61000-4-5, EN 61000-4-6, EN 61000-4-8
Shock	IEC 60068-2-27
Freefall	IEC 60068-2-32
Vibration	IEC 60068-2-6

# Unmanaged Industrial Ethernet Switches

## 5 & 8 port switches

Models SE205, SE205-T, SE208, SE208-T, SE205-MMSC, SE205-SMSC

### Product Ordering Information

MODEL	DESCRIPTION	OPERATING TEMPERATURE	RJ45		FIBER	
			10/100 MBPS	100FX	TYPE	CONNECTOR
SE205	5-port 10/100 Unmanaged Ethernet Switch	-10 ~ 60°C	5	-	-	-
SE205-T	5-port 10/100 Unmanaged Ethernet Switch, Wide Temperature	-40 ~ 75°C	5	-	-	-
SE208	8-port 10/100 Unmanaged Ethernet Switch	-10 ~ 60°C	8	-	-	-
SE208-T	8-port 10/100 Unmanaged Ethernet Switch, Wide Temperature	-40 ~ 75°C	8	-	-	-
SE205-MMSC	5-port Unmanaged Ethernet Switch, w/ 1-port 100FX Multi-mode	-10 ~ 60°C	4	1	Multi-mode	SC
SE205-SMSC	5-port Unmanaged Ethernet Switch, w/ 1-port 100FX Single-mode	-10 ~ 60°C	4	1	Single-mode	SC

### Accessories - optional

MODEL	DESCRIPTION
MDR-10-12	DIN Rail Power Supply, 12VDC, 10 Watt
CSUMB3FBG	3 ft. (1 M), Gray, Category 5e UTP Patch Cord
CSUMB7FBG	7 ft. (2 M), Gray, Category 5e UTP Patch Cord

### Package Checklist

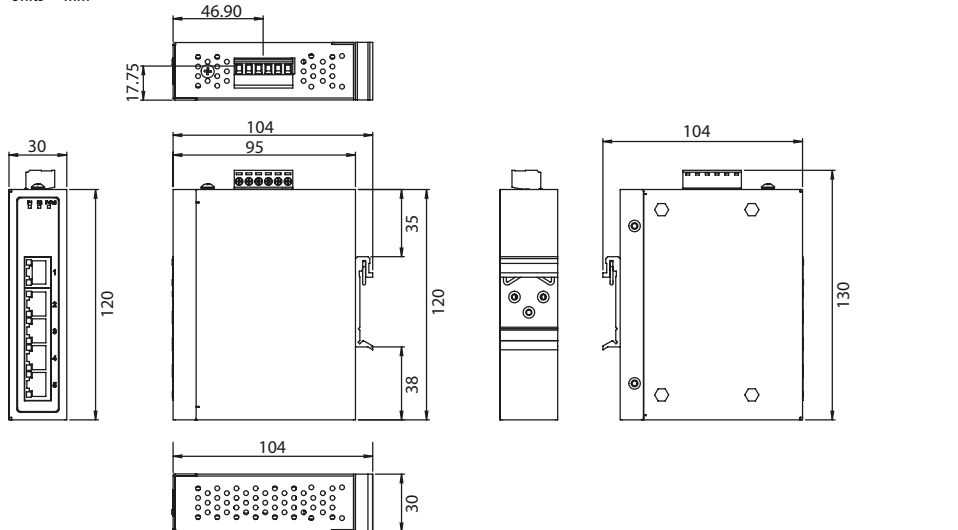
Ethernet Switch, Quick Start Guide, DIN-Rail mount bracket (installed), Wall mount bracket.

### Warranty

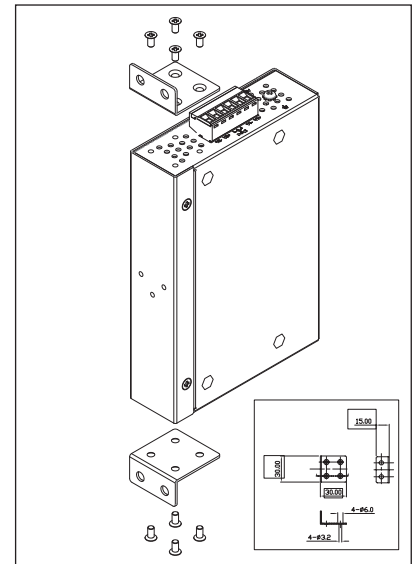
Limited lifetime warranty for Advantech B+B designed and/or manufactured products.

### Mechanical Diagram - SE205x Copper

Units = mm



### Wall Mount Kit Option Detail



### Mechanical Diagram - SE205x Fiber / SE208x Copper

Units = mm

