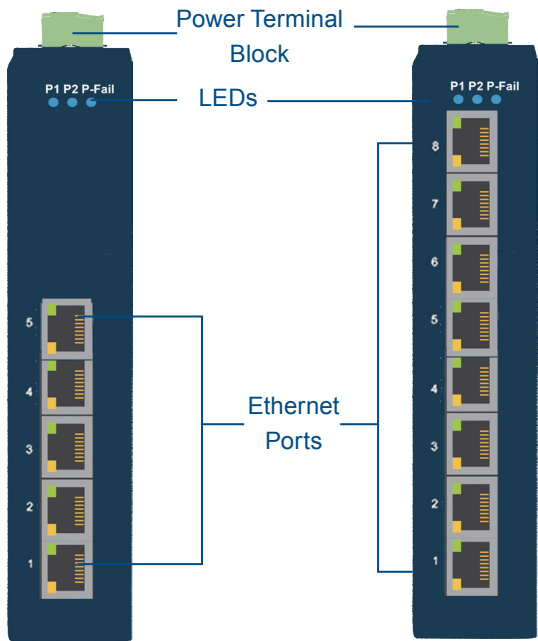
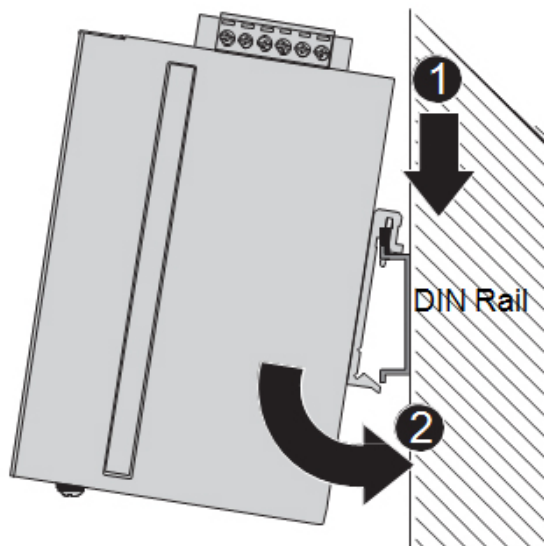


# Product Overview

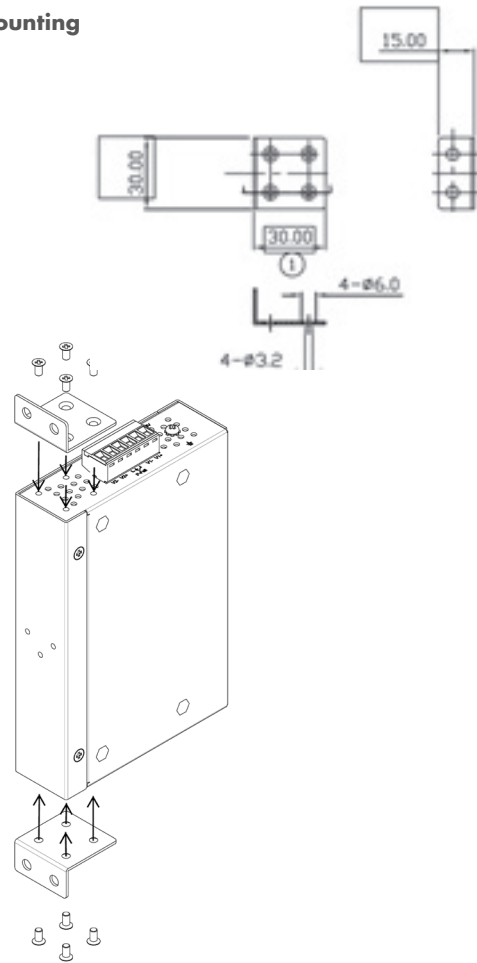


## 1 Hardware Mounting

### DIN Rail Mounting



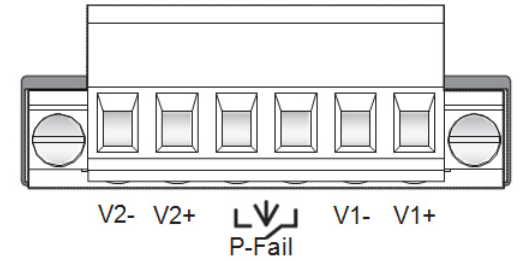
### Wall Mounting



## 2 Terminal Blocks

Terminal	Description
V2-	Power Input 2 (DC Ground)
V2+	Power Input 2 (12 to 48VDC)
P-Fail	Power Fault Relay
P-Fail	Power Fault Relay
V1-	Power Input 1 (DC Ground)
V1+	Power Input 1 (12 to 48VDC)

### 12 to 48 VDC (10.8 to 52.8 VDC) redundant dual inputs



Wire Gauge: 12 - 24 AWG (3.31 - 0.205 mm)  
Torque: 7 lb-in

**NOTE:** P-Fail Relay is closed if both power input ports are powered. The default is open.

## 3 LED Status

LED	Color	State	Description
P1	Green	On	Power input 1 is active
		Off	Power input 1 is inactive
P2	Green	On	Power input 2 is active
		Off	Power input 2 is inactive
P-Fail	Red	On	Power input 1 or 2 is inactive
		Off	No Power or power is applied to both inputs
Link/Active (1-5) or (1-8)	Green	Flashing	Link established
		Blinking	Data passing
		Off	Not connected to network
Duplex/ Collision (1-5) or (1-8)	Yellow	On	Ethernet port in Full Duplex
		Flashing	Collisions of packets occurring
		Off	Ethernet port in Half Duplex or not connected to the network

## Troubleshooting

If no LEDs light up, verify that the power supply connections are solid and that power is present on the output of the power supply.

Use the LED table to verify that power is present, a link is established, data is being transmitted, and to verify port speed.

If data does not pass and cable connections have been verified, contact your Network Administrator to validate that the network connection is good.

## Features

- Unmanaged, Plug and Play switches
- 10/100Mbps Auto-Negotiation
- MDI/MDIX Auto Crossover
- Full duplex/Half duplex flow control to ensure compatibility of legacy devices
- Broadcast storm protection
- IP30 rating
- Redundant Power inputs 12-48VDC(10.8 to 2.8VDC)
  - with Power Fail Relay
- Wide operating temperature support
  - SE205-T, SE208-T (-40 to +75°C)
  - SE205, SE208 (-10 to +60°C)

## Recommended Accessories

**Power Supply**  
MDR-10-12



**Ethernet Cable**  
C5UMB3FBG



# + QUICK START GUIDE



## SE205, SE205-T, SE208, SE208-T

Industrial Unmanaged Ethernet Switches

Before you begin, be sure you have the following:

- + SE205, SE205-T, SE208, SE208-T
- + DIN Rail Mount Bracket (Installed)
- + Wall Mount Bracket
- + Power Supply (not included)

**B+B SMARTWORX**

Powered by

**ADVANTECH**

1-888-948-2248 | Europe: +353 91 792444

[advantech-bb.com](http://advantech-bb.com)

707 Dayton Road | PO Box 1040 | Ottawa, IL 61350

Phone: 815-433-5100 | Fax: 815-433-5109

[www.advantech-bb.com](http://www.advantech-bb.com) | E-mail: [support@advantech-bb.com](mailto:support@advantech-bb.com)

**B+B SMARTWORX**

Powered by

**ADVANTECH**