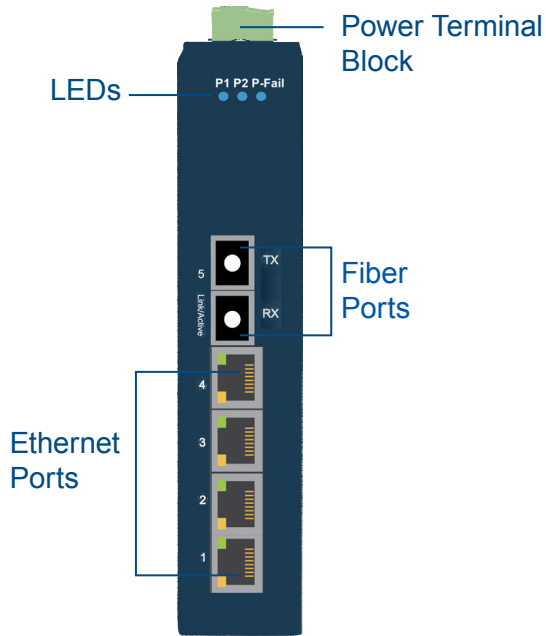
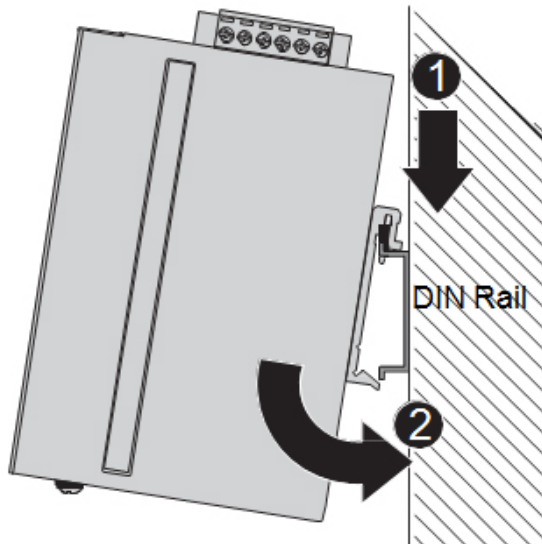


Product Overview

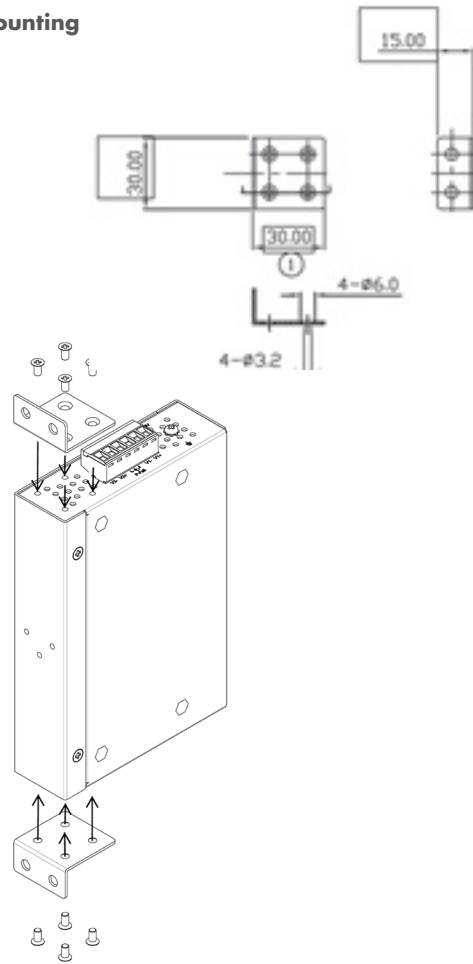


1 Hardware Mounting

DIN Rail Mounting



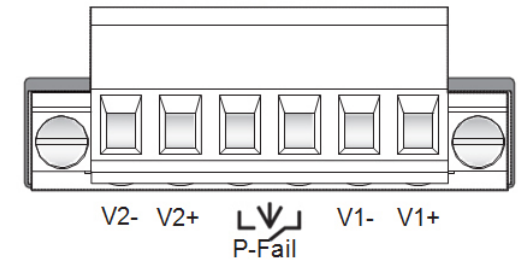
Wall Mounting



2 Terminal Blocks

| Terminal | Description |
|----------|-----------------------------|
| V2- | Power Input 2 (DC Ground) |
| V2+ | Power Input 2 (12 to 48VDC) |
| P-Fail | Power Fault Relay |
| P-Fail | Power Fault Relay |
| V1- | Power Input 1 (DC Ground) |
| V1+ | Power Input 1 (12 to 48VDC) |

12 to 48 VDC (10.8 to 52.8 VDC) redundant dual inputs



Wire Gauge: 12 - 24 AWG (3.31 - 0.205 mm)
Torque: 7 lb-in

NOTE: P-Fail Relay is closed if both power input ports are powered. The default is OPEN.

3 LED Status

| LED | Color | State | Description |
|-------------------------|---------|-----------|--|
| P1 | | On | Power input 1 is active |
| | | Off | Power input 1 is inactive |
| P2 | | On | Power input 2 is active |
| | | Off | Power input 2 is inactive |
| P-Fail | Red | On | Power input 1 or 2 is inactive |
| | | Off | No Power or power is applied to both inputs |
| Link/Active (1-4) | | Flash-ing | Link established |
| | | Blink-ing | Data passing |
| | | Off | Not connected to network |
| Duplex/ Collision (1-4) | Yel-low | On | Ethernet port in Full Duplex |
| | | Flash-ing | Collisions occurring |
| | | Off | Ethernet port in Half Duplex or not connected to the network |

Troubleshooting

If no LEDs light up, verify that the power supply connections are solid and that power is present on the output of the power supply.

Use the LED table to verify that power is present, a link is established, data is being transmitted, and to verify port speed.

If data does not pass and cable connections have been verified, contact your Network Administrator to validate that the network connection is good.

Features

- Unmanaged, Plug and Play switches
- 10/100Mbps Auto-Negotiation
- MDI/MDIX Auto Crossover
- Full duplex/Half duplex flow control to ensure compatibility of legacy devices
- Broadcast storm protection
- IP30 rating
- Redundant Power inputs 12-48VDC(10.8 to 2.8VDC)
 - with Power Fail Relay
- Wide operating temperature support
 - SE205-T, SE208-T (-40 to +75°C)
 - SE205, SE208 (-10 to +60°C)

Recommended Accessories

Power Supply
MDR-10-12



Ethernet Cable
C5UMB3FBG



B+B SMARTWORX

Powered by

ADVANTECH

1-888-948-2248 | Europe: +353 91 792444

advantech-bb.com

707 Dayton Road | PO Box 1040 | Ottawa, IL 61350

Phone: 815-433-5100 | Fax: 815-433-5109

www.advantech-bb.com | E-mail: support@advantech-bb.com

QUICK START GUIDE



SE205-MMSC, SE205-SMSC

Industrial Unmanaged Ethernet Switches

Before you begin, be sure you have the following:

- + SE205-MMSC, SE205-SMSC
- + DIN Rail Mount Bracket (Installed)
- + Wall Mount Bracket
- + Power Supply (not included)

B+B SMARTWORX

Powered by

ADVANTECH