

**100 Series
Media Converter &
Industrial Ethernet Switches**

**User Manual &
Installation
Guide**

Industrial Media Converter Installation Guide

102MC-XX

102MCE-XX-YY

104TX

105TX

105FX-XX

105FXE-XX-YY

108TX

108TX-HV

Where: **XX = ST or SC and YY = -15, -40, or -80**



Copyright, © N-TRON Corp., 2008
820 S. University Blvd., Suite 4E
Mobile, AL USA 36609

All rights reserved. Reproduction, adaptation, or translation without prior written permission from N-TRON Corp. is prohibited, except as allowed under copyright laws.

Ethernet is a registered trademark of Xerox Corporation. All other product names, company names, logos or other designations mentioned herein are trademarks of their respective owners.

The information contained in this document is subject to change without notice. N-TRON Corp. makes no warranty of any kind with regard to this material, including, but not limited to, the implied warranties of merchantability or fitness for a particular purpose. In no event shall N-TRON Corp. be liable for any incidental, special, indirect or consequential damages whatsoever included but not limited to lost profits arising out of errors or omissions in this manual or the information contained herein.

Contact Information

N-TRON Corp.
820 South University Blvd.
Suite 4E
Mobile, AL 36609
TEL: (251) 342-2164
FAX: (251) 342-6353
Website: www.n-tron.com
Email: N-TRON_Support@n-tron.com

GENERAL SAFETY WARNINGS

WARNING: Do not operate the equipment in the presence of flammable gasses or fumes. Operating electrical equipment in such an environment constitutes a definite safety hazard.

WARNING: If the equipment is used in the manner not specified by N-TRON Corp., the protection provided by the equipment may be impaired.

WARNING: Do not perform any services on the unit unless qualified to do so. Do not substitute unauthorized parts or make unauthorized modifications to the unit.

WARNING: Do not operate the unit with the end plates removed, as this could create a shock or fire hazard.

WARNING: Do not operate the equipment in a manner not specified by this manual.

ENVIRONMENTAL SAFETY WARNINGS



WARNING: Disconnect the power and allow to cool 5 minutes before touching.

ELECTRICAL SAFETY WARNINGS



WARNING: Disconnect the power cable before removing the end plates.

WARNING: Do not operate the unit with the end plates removed.

WARNING: Do not work on equipment or cables during periods of lightning activity.

WARNING: Do not perform any services on the unit unless qualified to do so.

WARNING: Observe proper DC Voltage polarity when installing power input cables. Reversing voltage polarity can cause permanent damage to the unit and void the warranty.

HAZARDOUS LOCATION INSTALLATION REQUIREMENTS

1. This equipment is suitable for use in Class I, Div 2, Groups A, B, C, and D, or unclassified or non-hazardous locations only.
2. **WARNING:** Explosion Hazard - Substitution of components may impair suitability for Class I, Division 2.
3. **WARNING:** Explosion hazard, do not disconnect while the circuit is live or unless the area is known to be non-hazardous.
4. **WARNING:** Explosion Hazard - Do not remove or replace the device unless power has been switched off or the area is known to be non-hazardous.
5. Use 60/75°C rated Copper wire, (0.22Nm) 2 inch-lbs Tightening torque for field installed connectors.
6. **WARNING:** Install only in accordance with Local & National Codes of Authorities Having Jurisdiction.
7. Class I, Div 2 Installations require that power connections must be current limited at the power source with an in-line fuse rated at 0.5A.
8. Class I, Div 2 installations require that all devices connected to this product must be UL listed for the area in which it is installed.
9. Limited Operating Voltage: 12-30V for Class I, Div 2 installations.

100 Series Industrial Ethernet Switches

The 100 Series Unmanaged Industrial Ethernet Switches support high speed layer 2 switching between ports. This series of switches are housed in a ruggedized aluminum enclosure, and provide Category-5 compliant 10/100-BaseT connections for high performance network design, and hub/repeater upgrades.

All fiber products utilize the IEEE compliant SC or ST duplex connectors for fiber optic communications. All 10/100Base-TX ports utilize the RJ45 shielded connectors.

The 102MC/MCE is a two port unmanaged media converter that converts 10/100BaseTX copper to 100BaseFX full duplex fiber.

The 104TX, 105TX, and 108TX are affordable and share a small footprint. Each switch is capable of auto negotiating 10/100 Mb and half/full duplex communications.

The 105FX/FXE has 4 ports similar to the 104TX, plus additional multimode fiber optic up-link port(s), capable of 2 Kilometers of 100 Mb communications for the FX models, and up to 80 Kilometers for the FXE models without the use of repeaters.

Key Features

- Full IEEE 802.3 & 100Base-FX Compliance
- Extended Environmental Specifications
- Support for Full/Half Duplex Operation
- LED Link/Activity Status Indication
- Autonegotiation, Autosensing Speed, Duplex, and Flow Control
- Up to 1.6 Gb/s Maximum Throughput
- Industry Standard 35mm DIN Rail Mounted Enclosure



PACKAGE CONTENTS

Please make sure the package contains the following items:

1. 100 Series Media Converter or Ethernet Switch
2. Instruction Sheet

Contact your carrier if any items are damaged.

UNPACKING

Remove all the equipment from the packaging, and store the packaging in a safe place. File any damage claims with the carrier.

CLEANING

Clean only with a damp cloth.

INSTALLATION

Read the following warning before beginning the installation:

WARNING



Never install or work on electrical equipment or cabling during periods of lightning activity. Never connect or disconnect power when hazardous gasses are present.

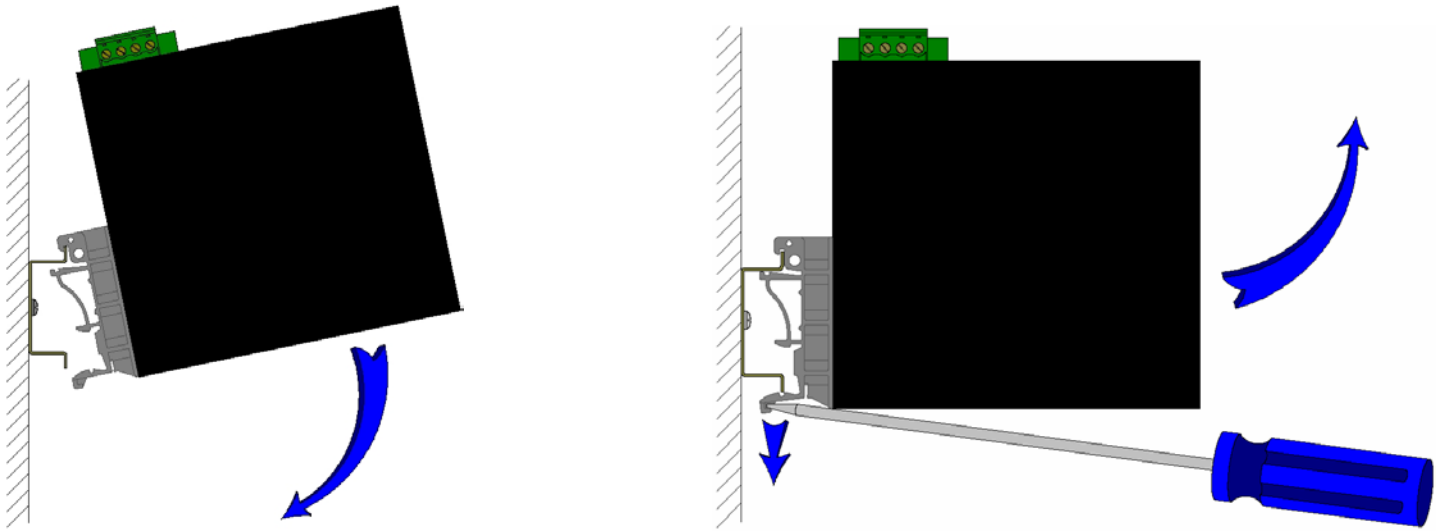
LASER SAFETY (MCE and FXE models only -40 and -80)



CAUTION: CLASS 1 LASER PRODUCT. Do not stare into the laser!

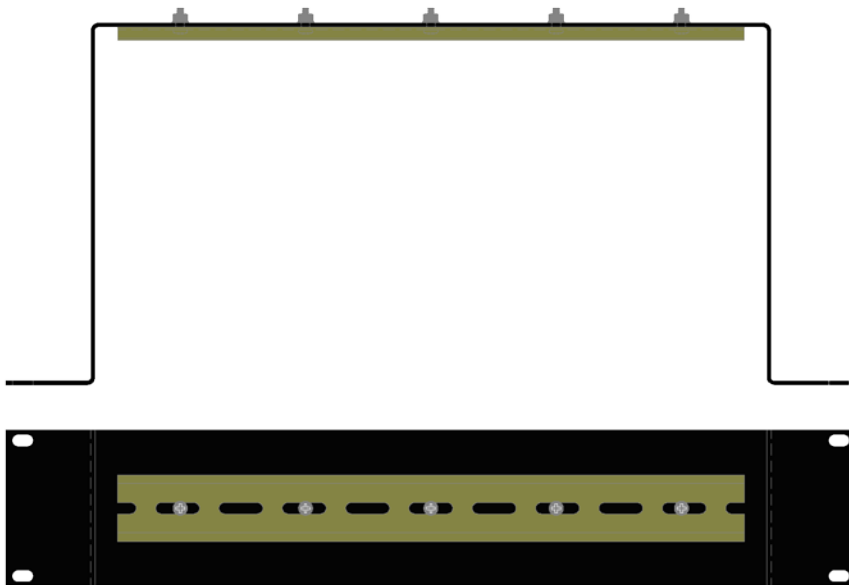
DIN-Rail Mounting

Install the unit in a standard DIN rail. Recess the unit to allow at least 2" of horizontal clearance for CAT5e cable bend radius.



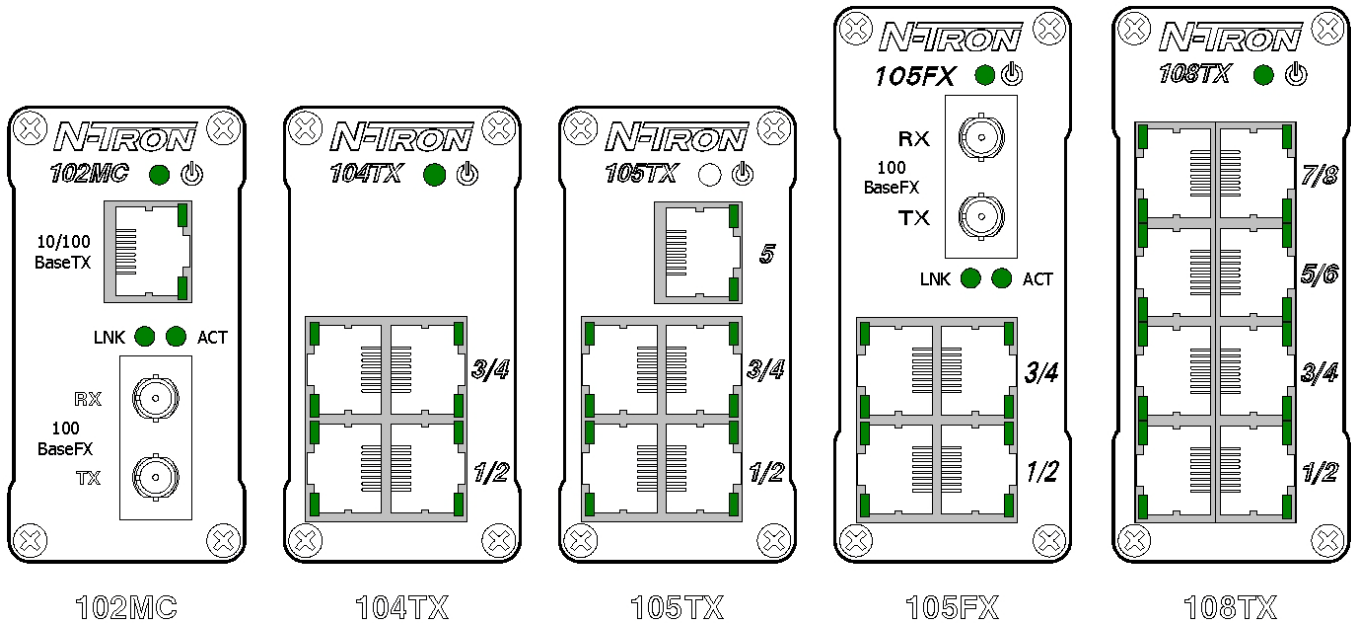
To install the unit to 35mm industrial DIN rail, place the top edge of the included mounting bracket on the back of the unit against the DIN rail at a 15° angle as shown. Rotate the bottom of the unit to the back (away from you) until it snaps into place.

To remove the unit from the 35mm industrial DIN rail, place a flat head screwdriver into the release clip found at the bottom of the unit, and apply downward force on the clip until it disengages from the bottom of the unit from the DIN rail. Rotate the bottom of the unit towards you and up at an approximate 15° upward angle to completely remove the unit.



Most N-Tron™ products are designed to be mounted on industry standard 35mm DIN rail. However, DIN rail mounting may not be suitable for all applications. Our Universal Rack Mount Kit (P/N: URMK) may be used to mount the 100 Series enclosures to standard 19" racks as an option.

FRONT PANEL



From Top to Bottom:

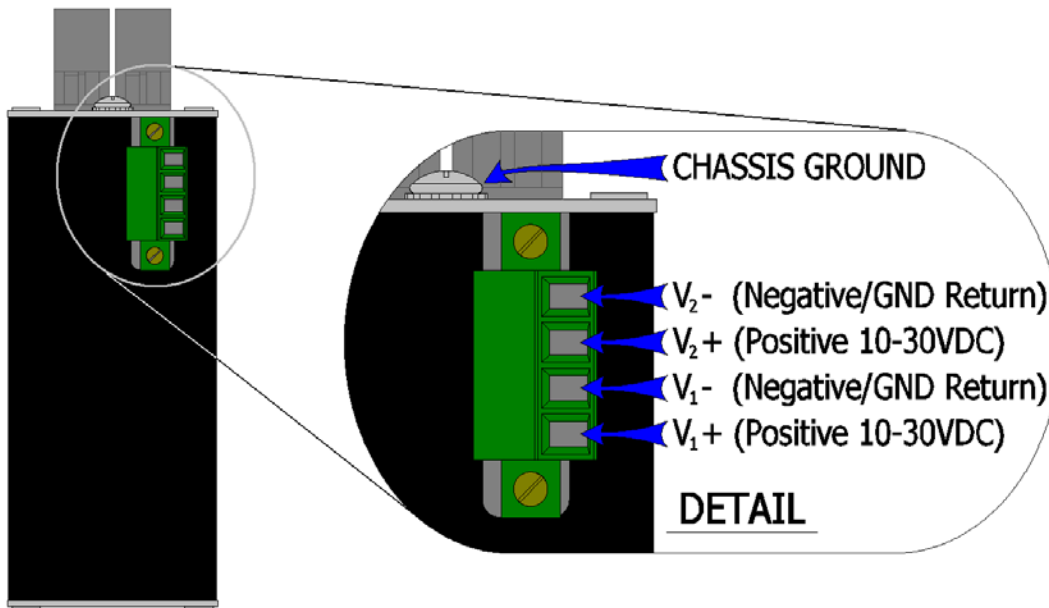
SPD	Speed LED
LNK/ACT	Link/Activity LED
RJ45 Ports	Auto sensing 10/100BaseT Connection
⏻	Green LED lights when Power is connected

NOTE: The top LED indicates Link/Activity (LNK/ACT), and the lower LED indicates Speed (SPD) status.

LED's: The table below describes the operating modes:

LED	Color	Description
⏻	ON	Power is Applied.
	OFF	Power is OFF.
LNK/ACT	ON	Link established, no Activity on cable.
	BLINKING	Link established, Activity on cable
	OFF	No link activity on cable.
SPD	ON	LINK is 100Mbps.
	OFF	Link is 10Mbs.

APPLYING POWER (Top View)



Unscrew & Remove the DC Voltage Input Plug from the top header.
Install the DC Power Cables into the Plug (observing polarity on unit).
Plug the Voltage Input Plug back into the top header.
Tightening torque for the terminal block power plug is **0.22 Nm/0.162 Pound Foot**.
All LED's will flash ON Momentarily.
Verify the Power LED stays ON (GREEN).

Note: Either V₁ or V₂ can be connected to power for minimal operation. For redundant power operation, V₁ and V₂ plugs must be connected to separate DC Voltage sources. Use wire sizes of 16-28 gauge. The power cord should be limited to less than 10 meters in order to ensure optimum performance.

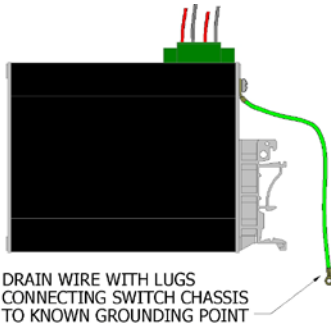
Recommended 24V DC Power Supplies, similar to:

100-240VAC:

N-Tron NTPS-24-1.3, DC 24V/1.3A (NOTE: Not appropriate for use with M12, POE, and HV models.)

N-TRON SWITCH GROUNDING TECHNIQUES FOR 100 SERIES

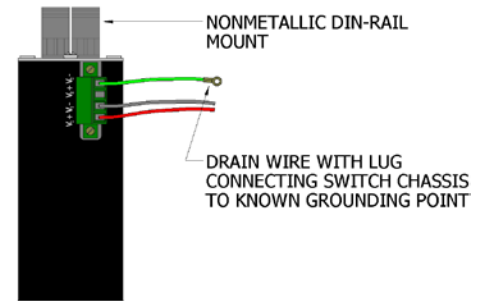
The grounding philosophy of any control system is an integral part of the design. N-Tron switches are designed to be grounded, but the user has been given the flexibility to float the switch when required. The best noise immunity and emissions (i.e. CE) are obtained when the N-Tron switch chassis is connected to earth ground via a drain wire. Some N-Tron switches have metal din-rail brackets that can ground the switch if the din-rail is grounded. In some cases, N-Tron switches with metal brackets can be supplied with optional plastic brackets if isolation is required.



Users may run a drain wire & lug from the screw provided on the back face of the enclosure. In the event the provided grounding screw has been lost, care should be taken to limit the penetration of the outer skin by less than 1/4". Failure to do so may cause irreversible damage to the internal components of the switch.

Note: Ensure the power supply is grounded properly before applying power to the grounded switch. This may be verified by using a voltmeter to determine that there is no voltage difference between the power supply's negative output terminal and the chassis grounding point of the switch.

As an alternative grounding method, both V- legs of the power input connector are connected to chassis internally on the PCB. Connecting a drain wire to earth ground from one of the V- terminal plugs as shown here will ground the switch and the chassis. The power leads from the power source should be limited to 3 meters or less in length.



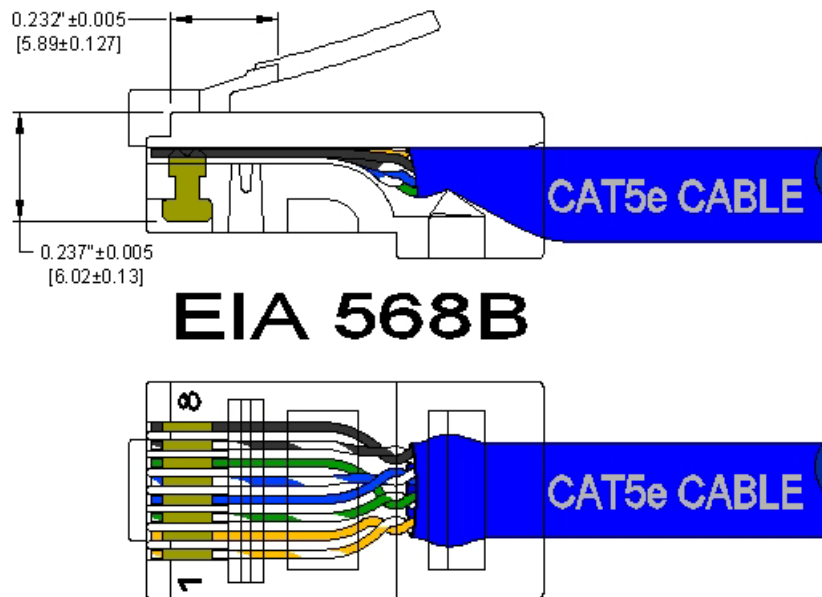
If the use of shielded cables is required, it is generally recommended to only connect the shield at one end to prevent ground loops and interfere with low level signals (i.e. thermocouples, RTD, etc.). Cat5e cables manufactured to EIA-568A or 568B specifications are required for use with N-Tron Switches.



In the event all Cat5e patch cable distances are small (i.e. All Ethernet devices are located the same local cabinet and/or referenced to the same earth ground), it is permissible to use fully shielded cables terminated to chassis ground at both ends in systems void of low level analog signals.

RJ45 CONNECTOR CRIMP SPECIFICATIONS

Please reference the illustration below for your Cat5 cable specifications:




CONNECTING THE UNIT

For the 100BaseFX Fiber Optic port, remove the dust cap(s) from the fiber optic connector and connect the fiber optic cables. The TX port on the local unit should be connected to the RX port of the far end device, and the RX port should be connected to the TX port of the far end device.

For 10Base-T ports, plug a Category 3 (or greater) twisted pair cable into the RJ45 connector. For 100Base-T ports, plug a Category 5 (or greater) twisted pair cable into the RJ45 connector. Connect the other end to the far end station. Verify that the LNK LED's are ON once the connection has been completed. To connect any other port to another Switch or Repeater, use a standard Cat5 straight through or crossover cable.

Warning: Creating a port to port connection on the same switch (i.e. loop) is an illegal operation and will create a broadcast storm which will crash the network!

TROUBLESHOOTING

1. Make sure the  (Power LED) is ON.
2. Make sure you are supplying sufficient current for the version chosen. Note: The Inrush current will exceed the steady state current by ~ 2X.
3. Verify that Link LED's are ON for both ports.
4. Verify cabling used between stations.
5. Verify that cabling is Category 3 or greater for 10Mbit Operation.

SUPPORT

Contact N-Tron Corporation at:

TEL: 251-342-2164

FAX: 251-342-6353

www.n-tron.com

N-TRON_Support@n-tron.com

FCC STATEMENT

This product complies with Part 15 of the FCC-A Rules.

Operation is subject to the following conditions:

- (1) This device may not cause harmful Interference
- (2) This device must accept any interference received, including interference that may cause undesired operation.

NOTE: This equipment has been tested and found to comply with the limits for a Class A digital device, pursuant to Part 15 of the FCC Rules. These limits are designed to provide reasonable protection against harmful interference in a residential installation. This equipment generates, uses, and can radiate radio frequency energy and, if not installed and used in accordance with the instructions, may cause harmful interference to radio communications. Operation of this device in a residential area is likely to cause harmful interference in which case the user will be required to correct the interference at his own expense.

INDUSTRY CANADA

This Class A digital apparatus meets all requirements of the Canadian Interference Causing Equipment Regulations. Operation is subject to the following two conditions; (1) this device digital apparatus meets all requirements of the Canadian Interference Causing Equipment Regulations. Operation is subject to the following two conditions; (1) this device may not cause harmful interference, and (2) this device must accept any interference received, including interference that may cause undesired operation.

Cet appareillage numérique de la classe A répond à toutes les exigences de l'interférence canadienne causant des règlements d'équipement. L'opération est sujette aux deux conditions suivantes: (1) ce dispositif peut ne pas causer l'interférence nocive, et (2) ce dispositif doit accepter n'importe quelle interférence reçue, y compris l'interférence qui peut causer l'opération peu désirée.

102MC/MCE - KEY SPECIFICATIONS

Physical

Height: 2.87" (7.28cm)
Width: 1.49" (3.78cm)
Depth: 3.53" (8.96cm)
Weight: 0.5 lbs. (0.22 kg)
DIN Rail 35 mm

Electrical

Input Voltage: 10-30 VDC (Regulated)
Input Current: 140mA max. @ 24VDC (Steady State)
Inrush Current: 8.5Amp/0.7 ms max. @ 24VDC
Input Ripple: Less than 100 mV
Input Wire Size: 16-28 AWG

Environmental

Operating Temperature: -40°C to 80°C
Storage Temperature: -40°C to 85°C
Operating Humidity: 10% to 95% (Non Condensing)
Operating Altitude: 0 to 10,000 ft.

Network Media

10BaseT: > Cat-3 Cable
100BaseT: > Cat-5 Cable
100BaseFX: Multimode: 50-62.5/125µm Fiber
Singlemode: 7-10/125µm Fiber

Fiber Transceiver Characteristics

Fiber Length:	2km*	15km**	40km**	80km**
TX Power Min/Max	-19dBm/-14dBm	-15dBm/-7dBm	-5dBm/0dBm	-5dBm/0dBm
RX Sensitivity Max:	-32dBm	-34dBm	-34dBm	-34dBm
Wavelength:	1310nm	1310nm	1310nm	1550nm

*=Multimode ** =Singlemode

Connectors

10/100BaseTX: RJ45 UTP Port
100BaseFX: SC or ST Duplex Port

Recommended Minimum Wiring Clearance:

Top: 1" (2.54 cm)
Front: 5" (12.7 cm)

Warranty: Effective January 1, 2008, all N-TRON products carry a 3 year warranty from the date of purchase.

Regulatory Approvals:

Safety: UL Listed per ANSI/ISA-12.12.01-2000 (US and Canada)

This apparatus is suitable for use in Class I, Div 2, Groups A, B, C, D, T5

EMI: EN61000-6-4, EN55011 - Class A

FCC Title 47, Part 15, Subpart B - Class A

ICES-003 – Class A

EMS: EN61000-6-2

EN61000-4-2 (ESD)

EN61000-4-3 (RS)

EN61000-4-4 (EFT)

EN61000-4-5 (Surge)

EN61000-4-6 (Conducted Disturbances)

GOST-R Certified.

104TX/105TX - KEY SPECIFICATIONS

Physical

<i>Height:</i>	2.87" (7.28cm)
<i>Width:</i>	1.49" (3.78cm)
<i>Depth:</i>	3.53" (8.96cm)
<i>Weight:</i>	0.6 lbs. (0.27kg)
<i>DIN Rail</i>	35 mm

Electrical

<i>Input Voltage:</i>	10-30 VDC (Regulated)
<i>Input Current:</i>	215 mA max. @ 24VDC (Steady State)
<i>Inrush Current:</i>	7.8 Amp/0.7ms max. @ 24VDC
<i>Input Ripple:</i>	Less than 100 mV
<i>Input Wire Size:</i>	16-28 AWG

Environmental

<i>Operating Temperature:</i>	-40°C to 80°C
<i>Storage Temperature:</i>	-40°C to 85°C
<i>Operating Humidity:</i>	10% to 95% (Non Condensing)
<i>Operating Altitude:</i>	0 to 10,000 ft.

Network Media

<i>10BaseT:</i>	> Cat-3 Cable
<i>100BaseT:</i>	> Cat-5 Cable

Connectors

10/100BaseT: RJ45 UTP Ports

Recommended Minimum Wiring Clearance:

<i>Top:</i>	1" (2.54 cm)
<i>Front:</i>	2" (5.08 cm)

Warranty: Effective January 1, 2008, all N-TRON products carry a 3 year warranty from the date of purchase.

Regulatory Approvals:

Safety: UL Listed per ANSI/ISA-12.12.01-2000 (US and Canada)

This apparatus is suitable for use in Class I, Div 2, Groups A, B, C, D, T4A

EMI: EN61000-6-4, EN55011 - Class A

FCC Title 47, Part 15, Subpart B - Class A

ICES-003 – Class A

EMS: EN61000-6-2

EN61000-4-2 (ESD)

EN61000-4-3 (RS)

EN61000-4-4 (EFT)

EN61000-4-5 (Surge)

EN61000-4-6 (Conducted Disturbances)

GOST-R Certified.

108TX - KEY SPECIFICATIONS

Physical

<i>Height:</i>	3.5" (8.89cm)
<i>Width:</i>	1.49" (3.78cm)
<i>Depth:</i>	3.53" (8.96cm)
<i>Weight:</i>	0.7 lbs. (0.31kg)
<i>DIN Rail</i>	35 mm

Electrical

<i>Input Voltage:</i>	10-30 VDC (Regulated)
-HV option:	10-60 VDC (Regulated)
<i>Input Current:</i>	250 mA max. @ 24VDC (Steady State)
<i>Inrush Current:</i>	8.1 Amp/0.7ms max. @ 24VDC
<i>Input Ripple:</i>	Less than 100 mV
<i>Input Wire Size:</i>	16-28 AWG

Environmental

<i>Operating Temperature:</i>	-40°C to 70°C
<i>Storage Temperature:</i>	-40°C to 85°C
<i>Operating Humidity:</i>	10% to 95% (Non Condensing)
<i>Operating Altitude:</i>	0 to 10,000 ft.

Network Media

<i>10BaseT:</i>	> Cat-3 Cable
<i>100BaseT:</i>	> Cat-5 Cable

Connectors

10/100BaseT:	Eight (8) RJ45 UTP Ports
--------------	--------------------------

Recommended Minimum Wiring Clearance:

<i>Top:</i>	1" (2.54 cm)
<i>Front:</i>	2" (5.08 cm)

Warranty: Effective January 1, 2008, all N-TRON products carry a 3 year warranty from the date of purchase.

Regulatory Approvals:

Safety: UL Listed per ANSI/ISA-12.12.01-2000 (US and Canada)

This apparatus is suitable for use in Class I, Div 2, Groups A, B, C, D, T4A

EMI: EN61000-6-4, EN55011 - Class A

FCC Title 47, Part 15, Subpart B - Class A

ICES-003 – Class A

EMS: EN61000-6-2

EN61000-4-2 (ESD)

EN61000-4-3 (RS)

EN61000-4-4 (EFT)

EN61000-4-5 (Surge)

EN61000-4-6 (Conducted Disturbances)

GOST-R Certified.

105FX - KEY SPECIFICATIONS

Physical

Height: 3.83" (9.72cm)
Width: 1.49" (3.78cm)
Depth: 3.53" (8.96cm)
Weight: 0.6 lbs. (0.27kg)
DIN Rail 35 mm

Electrical

Input Voltage: 10-30 VDC (Regulated)
Input Current: 270mA max. @ 24VDC (Steady State)
Inrush Current: 8.0Amp/0.7 ms max. @ 24VDC
Input Ripple: Less than 100 mV
Input Wire Size: 16-28 AWG

Environmental

Operating Temperature: -40°C to 70°C
Storage Temperature: -40°C to 85°C
Operating Humidity: 10% to 95% (Non Condensing)
Operating Altitude: 0 to 10,000 ft.

Network Media

10BaseT: > Cat-3 Cable
100BaseT: > Cat-5 Cable
100BaseFX: Multimode: 50-62.5/125µm Fiber
Singlemode: 7-10/125µm Fiber

Fiber Transceiver Characteristics

Fiber Length:	2km*	15km**	40km**	80km**
TX Power Min/Max	-19dBm/-14dBm	-15dBm/-7dBm	-5dBm/0dBm	-5dBm/0dBm
RX Sensitivity Max:	-32dBm	-34dBm	-34dBm	-34dBm
Wavelength:	1310nm	1310nm	1310nm	1550nm

*=Multimode **=Singlemode

Connectors

10/100BaseTX: RJ45 UTP Port
100BaseFX: SC or ST Duplex Port

Recommended Minimum Wiring Clearance:

Top: 1" (2.54 cm)
Front: 5" (12.7 cm)

Warranty: Effective January 1, 2008, all N-TRON products carry a 3 year warranty from the date of purchase.

Regulatory Approvals:

Safety: UL Listed per ANSI/ISA-12.12.01-2000 (US and Canada)

This apparatus is listed for use in Class I, Div 2, Groups A, B, C, D, T4A

EMI: EN 61000-6-4, EN 55011 - Class A

FCC Title 47, Part 15, Subpart B - Class A

ICES-003 – Class A

EMS: EN 61000-6-2

IEC 61000-4-2 (ESD)

IEC 61000-4-3 (RS)

IEC 61000-4-4 (EFT)

IEC 61000-4-5 (Surge)

IEC 61000-4-6 (Conducted Disturbances)

GOST-R Certified.

N-TRON Limited Warranty

N-TRON, Corp. warrants to the end user that this hardware product will be free from defects in workmanship and materials, under normal use and service, for the applicable warranty period from the date of purchase from N-TRON or its authorized reseller. If a product does not operate as warranted during the applicable warranty period, N-TRON shall, at its option and expense, repair the defective product or part, deliver to customer an equivalent product or part to replace the defective item, or refund to customer the purchase price paid for the defective product. All products that are replaced will become the property of N-TRON. Replacement products may be new or reconditioned. Any replaced or repaired product or part has a ninety (90) day warranty or the remainder of the initial warranty period, whichever is longer. N-TRON shall not be responsible for any custom software or firmware, configuration information, or memory data of customer contained in, stored on, or integrated with any products returned to N-TRON pursuant to any warranty.

OBTAINING WARRANTY SERVICE: Customer must contact N-TRON within the applicable warranty period to obtain warranty service authorization. Dated proof of purchase from N-TRON or its authorized reseller may be required. Products returned to N-TRON must be pre-authorized by N-TRON with a Return Material Authorization (RMA) number marked on the outside of the package, and sent prepaid and packaged appropriately for safe shipment. Responsibility for loss or damage does not transfer to N-TRON until the returned item is received by N-TRON. The repaired or replaced item will be shipped to the customer, at N-TRON's expense, not later than thirty (30) days after N-TRON receives the product. N-TRON shall not be responsible for any software, firmware, information, or memory data of customer contained in, stored on, or integrated with any products returned to N-TRON for repair, whether under warranty or not.

ADVANCE REPLACEMENT OPTION: Upon registration, this product qualifies for advance replacement. A replacement product will be shipped within three (3) days after verification by N-TRON that the product is considered defective. The shipment of advance replacement products is subject to local legal requirements and may not be available in all locations. When an advance replacement is provided and customer fails to return the original product to N-TRON within fifteen (15) days after shipment of the replacement, N-TRON will charge customer for the replacement product, at list price.

WARRANTIES EXCLUSIVE: IF AN N-TRON PRODUCT DOES NOT OPERATE AS WARRANTED ABOVE, CUSTOMER'S SOLE REMEDY FOR BREACH OF THAT WARRANTY SHALL BE REPAIR, REPLACEMENT, OR REFUND OF THE PURCHASE PRICE PAID, AT N-TRON'S OPTION. TO THE FULL EXTENT ALLOWED BY LAW, THE FOREGOING WARRANTIES AND REMEDIES ARE EXCLUSIVE AND ARE IN LIEU OF ALL OTHER WARRANTIES, TERMS, OR CONDITIONS, EXPRESS OR IMPLIED, EITHER IN FACT OR BY OPERATION OF LAW, STATUTORY OR OTHERWISE, INCLUDING WARRANTIES, TERMS, OR CONDITIONS OF MERCHANTABILITY, FITNESS FOR A PARTICULAR PURPOSE, SATISFACTORY QUALITY, CORRESPONDENCE WITH DESCRIPTION, AND NON-INFRINGEMENT, ALL OF WHICH ARE EXPRESSLY DISCLAIMED. N-TRON NEITHER ASSUMES NOR AUTHORIZES ANY OTHER PERSON TO ASSUME FOR IT ANY OTHER LIABILITY IN CONNECTION WITH THE SALE, INSTALLATION, MAINTENANCE OR USE OF ITS PRODUCTS. N-TRON SHALL NOT BE LIABLE UNDER THIS WARRANTY IF ITS TESTING AND EXAMINATION DISCLOSE THAT THE ALLEGED DEFECT OR MALFUNCTION IN THE PRODUCT DOES NOT EXIST OR WAS CAUSED BY CUSTOMER'S OR ANY THIRD PERSON'S MISUSE, NEGLIGENCE, IMPROPER INSTALLATION OR TESTING, UNAUTHORIZED ATTEMPTS TO OPEN, REPAIR OR MODIFY THE PRODUCT, OR ANY OTHER CAUSE BEYOND THE RANGE OF THE INTENDED USE, OR BY ACCIDENT, FIRE, LIGHTNING, POWER CUTS OR OUTAGES, OTHER HAZARDS, OR ACTS OF GOD.

LIMITATION OF LIABILITY: TO THE FULL EXTENT ALLOWED BY LAW, N-TRON ALSO EXCLUDES FOR ITSELF AND ITS SUPPLIERS ANY LIABILITY, WHETHER BASED IN CONTRACT OR TORT (INCLUDING NEGLIGENCE), FOR INCIDENTAL, CONSEQUENTIAL, INDIRECT, SPECIAL, OR PUNITIVE DAMAGES OF ANY KIND, OR FOR LOSS OF REVENUE OR PROFITS, LOSS OF BUSINESS, LOSS OF INFORMATION OR DATA, OR OTHER FINANCIAL LOSS ARISING OUT OF OR IN CONNECTION WITH THE SALE, INSTALLATION, MAINTENANCE, USE, PERFORMANCE, FAILURE, OR INTERRUPTION OF ITS PRODUCTS, EVEN IF N-TRON OR ITS AUTHORIZED RESELLER HAS BEEN ADVISED OF THE POSSIBILITY OF SUCH DAMAGES, AND LIMITS ITS LIABILITY TO REPAIR, REPLACEMENT, OR REFUND OF THE PURCHASE PRICE PAID, AT N-TRON'S OPTION. THIS DISCLAIMER OF LIABILITY FOR DAMAGES WILL NOT BE AFFECTED IF ANY REMEDY PROVIDED HEREIN SHALL FAIL OF ITS ESSENTIAL PURPOSE.

DISCLAIMER: Some countries, states, or provinces do not allow the exclusion or limitation of implied warranties or the limitation of incidental or consequential damages for certain products supplied to consumers or the limitation of liability for personal injury, so the above limitations and exclusions may be limited in their application to you. When the implied warranties are not allowed to be excluded in their entirety, they will be limited to the duration of the applicable written warranty. This warranty gives you specific legal rights which may vary depending on local law.

GOVERNING LAW: This Limited Warranty shall be governed by the laws of the State of Alabama, U.S.A.