

# PRODUCT DATASHEET

is brought to you by



[SOS electronic](https://www.soselectronic.com/)

distribution of electronic components

Click to view availability, pricing and lifecycle information.

Visit <https://www.soselectronic.com/>

**Datasheet begins on next page.**


# 2J6515B

## (DATASHEET)

<b>Type</b>	Heavy duty ISM antenna
<b>Frequencies</b>	ISM (868 MHz)
<b>Mounting</b>	Body Mount
<b>Revision</b>	00



P. Tipul



D. Noble

# 1. SPECIFICATION

## 1.1. Electrical Specifications

Frequencies	ISM (868 MHz)
Impedance	50 Ohms
Polarization	Linear
Gain	6dBi
VSWR	<2:1
Power handling	50W
Bandwidth	25 MHz +/- 5 MHz
Operating temperature	-40°C to +85°C
Certificates	IP67, IK09

## 1.2. Connection Specifications

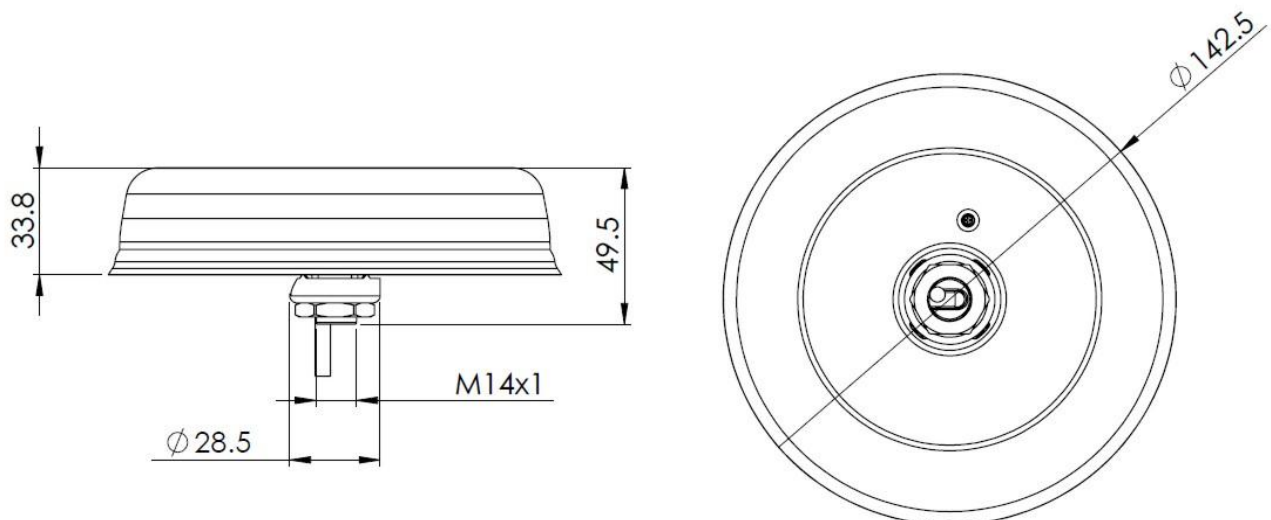
Connector type: SMA male  
 Cable: RG58  
 Cable length: 250 cm

For different cable length and connector type ask our sales team.

## 1.3. Mechanical Specifications and Dimensions

### 1.3.1. Body mount

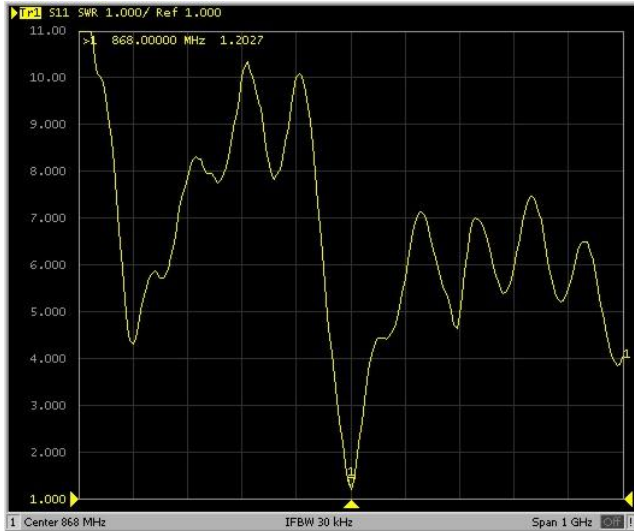
Material: Base: Zamak / Lid: ABS/ Gasket: TPE  
 Max. dimensions: 142.6mm x 49.5mm  
 Colour: Black (for different colours please ask our sales team)



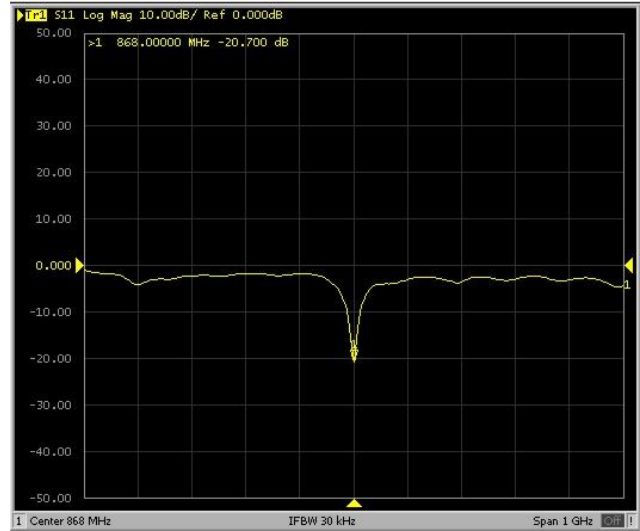
## 2. MEASUREMENT

- Tested with 50cm cable length

VSWR

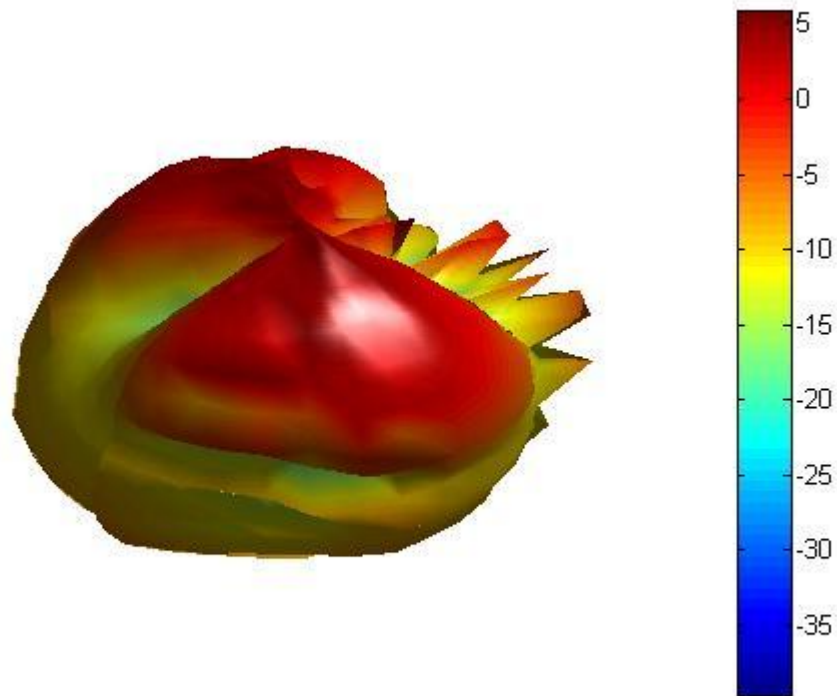


LOG MAG



3D radiation pattern

Freq = 0.8680GHz Az= 45 EL= 45





### 3. IMAGES

